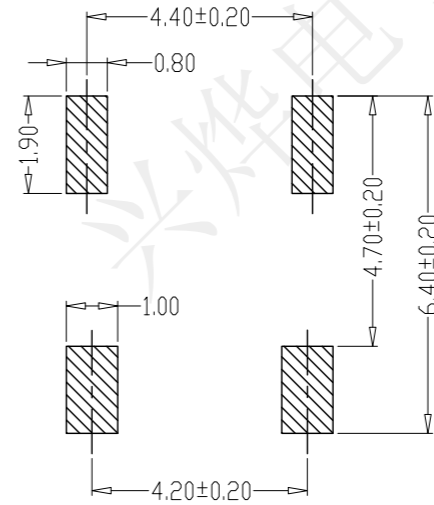
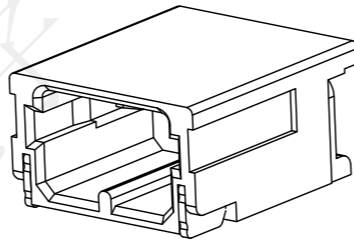
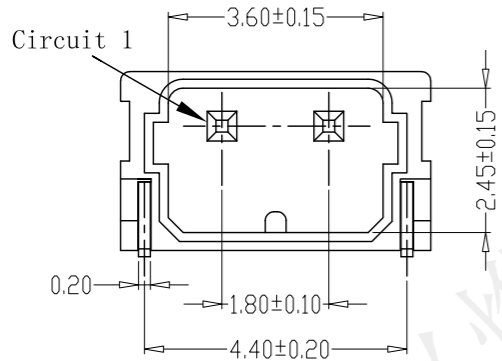
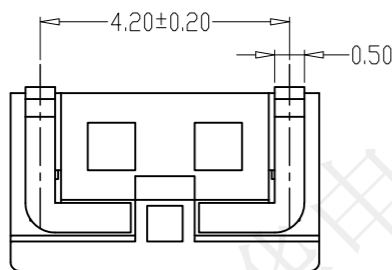
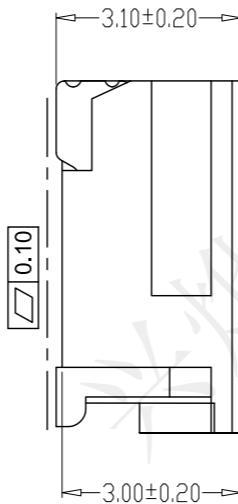
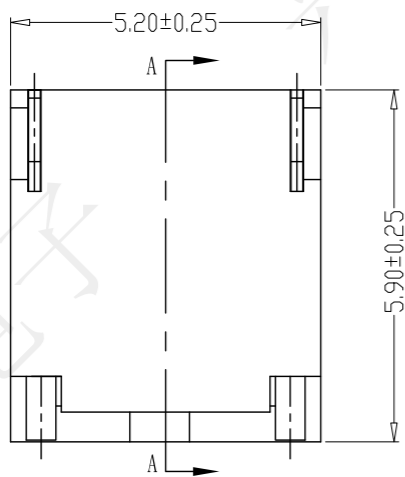


REV.	ECN NO.	DESCRIPTION	DRAW	APPD.	DATE
A	---				



PCB LAYOUT



SPECIFICATIONS

- 1、Current Rating: 4A AC, DC
- 2、Voltage Rating: 350V AC, DC
- 3、Temperatuer Range: -25℃~+85℃
- 4、Contact Resistance: 30mΩ Max
- 5、Insulation Resistance: 1000MΩ Min
- 6、Withstanding Voltang: 1700V AC/minute
- 7、Material: Wafer LCP, UL94V-0
PIN Brass Tin-plated
Solder tad Phosphoric bronze Tin-plated

受控文件

		Series Name :	
		Product Name : SFH1. 8-2P卧贴无扣编带	
TOLERANCE		Part NO: TZH24627	
X.X ±0.30	X.° ±2°	APPD: 陈爱光	SCALE SHEET REV. 1:1 1/1 A1
.XX ±0.20	.X° ±1°	CHEd: 施立敏	
.XXX ±0.10	XX° ±0.5°	DRAW: 马洪飞	
UNITS	mm		