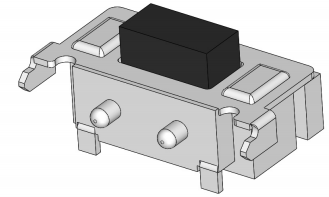
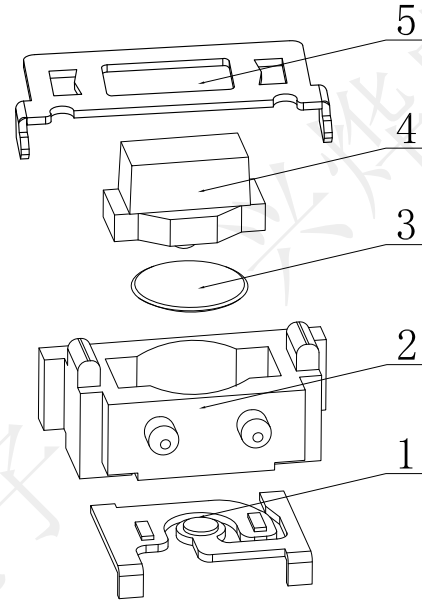
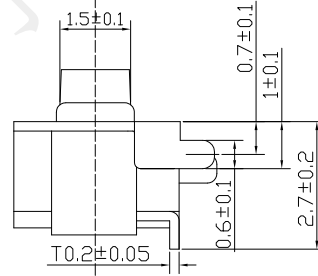
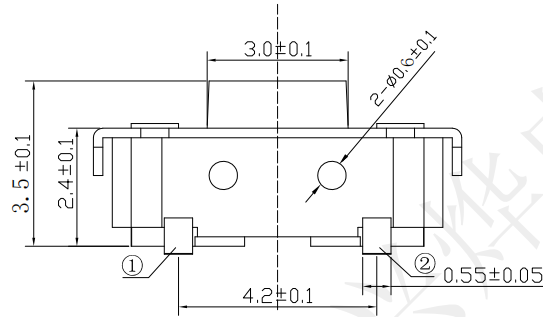
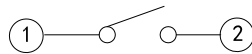
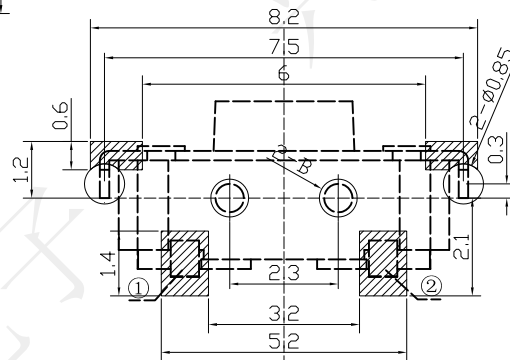
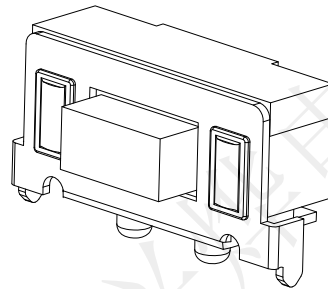
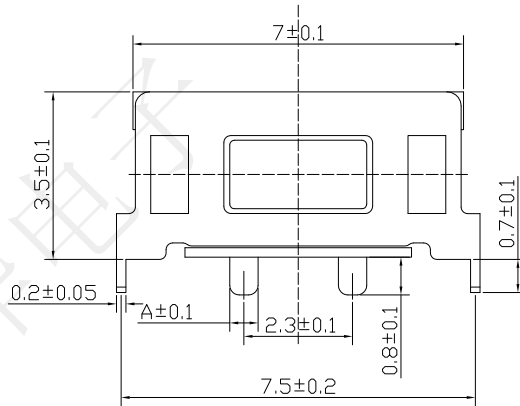


B: 0.6±0.2

|      |         |             |      |       |      |
|------|---------|-------------|------|-------|------|
| REV. | ECN NO. | DESCRIPTION | DRAW | APPD. | DATE |
| A    | ---     |             |      |       |      |



受控文件



CIRCUIT DIAGRAM

**P. C. B MOUNTING PATTERN DIMENSION**  
the following soldering are recommended  
for reflow soldering



**SPECIFICATION:**  
Operating temperature:-25℃~70℃  
Rated loading:DC 12V 50mA  
Contact resistance:100mΩ Max  
Insulation resistance:100MΩ Min  
Withstanding voltage:AC 250V (50Hz) /min  
Operating force:160±30gf Max  
Electrical Life: 30000 cycles

|     |    |      |     |       |
|-----|----|------|-----|-------|
| ⑤   | 盖板 | 1PCS | 黄铜  | 电镀: 银 |
| ④   | 按钮 | 1PCS | LCP | 黑色    |
| ③   | 簧片 | 1PCS | 不锈钢 | 银色    |
| ②   | 底座 | 1PCS | LCP | 白色    |
| ①   | 卡件 | 1PCS | 黄铜  | 电镀: 银 |
| 序列号 | 名称 | 数量   | 材料  | 备注    |

|  |            |   |  |  |
|--|------------|---|--|--|
| <b>深圳市兴烨电子有限公司</b><br>ShenZhen XingYe Electronics co., Ltd |            | Series Name :                                     |  |  |
|  |            | Product Description :<br>3*6*3.5侧按带支架.0.6柱 160G编带 |  |  |
| TOLERANCE  |            | Part NO: TSZ22287                                 |  |  |
| XX ±0.30   | X° ±2°     | APPD: 陈爱光   |  |  |
| .XX ±0.20  | .X° ±1°    | CHED: 施立敏   |  |  |
| .XXX ±0.10   | .XX° ±0.5° | DRAW: 马洪飞   |  |  |
| UNITS  | mm         | SCALE: 1:1<br>SHEET: 1/1<br>REV: A1               |  |  |