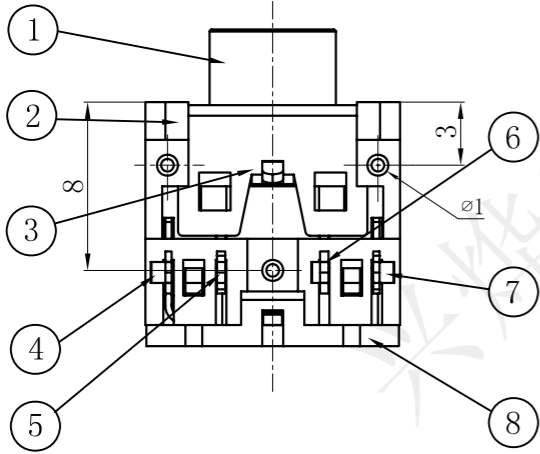
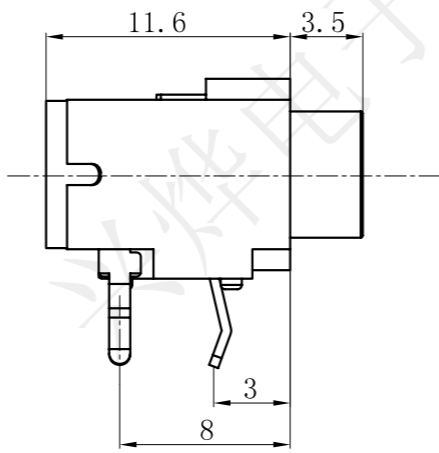
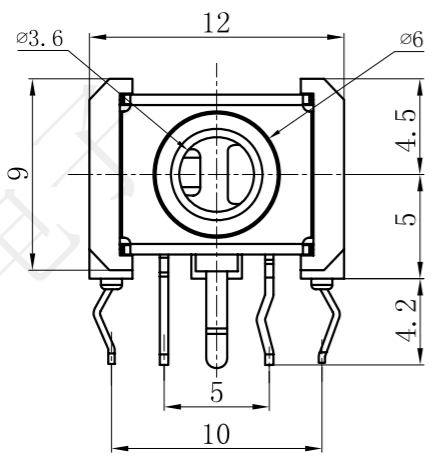
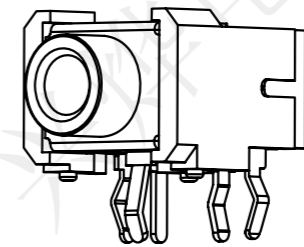
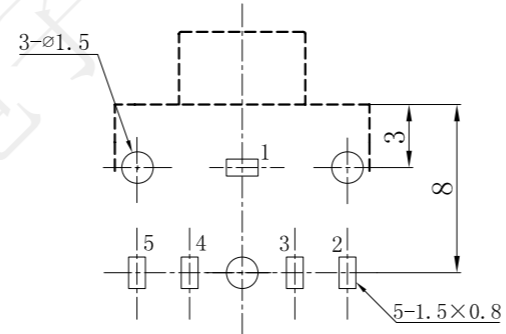


| REV. | ECN NO. | DESCRIPTION | DRAW | APPD. | DATE |
|----------|---------|--------------|-------------|------------|------------|
| A | --- | | | | |
| 一般尺寸公差mm | | .Xx ±0.05 | .X ±0.10 | L ±0.20 | 一般精度公差(°) |
| | | | | | .X ±0.5 |
| | | | | | L ±1 |



线路板开孔尺寸

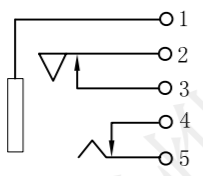


SPECIFICATION:
 Operating temperature:-16 °C~55 °C
 Rated loading:DC 30V 0.5A
 Contact resistance:30mΩ Max
 Insulation resistance:100MΩ Min
 Withstanding voltage:AC 500V (50Hz) /min
 Insertion force:3-20N
 Pullout force:3-20N
 Life: 5000 CYCLES

受控文件

| 序号 | 名称 | 数量 | 材料 | 备注 |
|----|-------|----|------------------------|----|
| 8 | 后盖 | 1 | PA66/PBT | 黑 |
| 7 | 5#接触脚 | 1 | QSn6.5-0.1锡青铜带 δ=0.3mm | 银 |
| 6 | 4#接触脚 | 1 | H62 (Y) 黄铜带 δ=0.4mm | 银 |
| 5 | 3#接触脚 | 1 | H62 (Y) 黄铜带 δ=0.4mm | 银 |
| 4 | 2#接触脚 | 1 | QSn6.5-0.1锡青铜带 δ=0.3mm | 银 |
| 3 | 1#接触脚 | 1 | H62 (Y) 黄铜带 δ=0.45mm | 铜锡 |
| 2 | 底座 | 1 | PA66/PBT | 黑 |
| 1 | 轴套 | 1 | H59 黄铜棒 | 镍 |

电路原理图



深圳市兴烨电子有限公司
 Shenzhen XingYe Electronics co., Ltd

| | | |
|-----------|---------|-----------|
| TOLERANCE | | |
| X.X ±0.10 | L ±1° | APPD: 陈爱光 |
| .XX ±0.05 | .X° ±1° | CHEd: 施立敏 |
| L ±0.20 | | DRAW: 马洪飞 |
| UNITS | mm | |

| | | |
|----------------|--------------|------|
| Series Name : | | |
| Product Name : | PJ-3060-5P卧插 | |
| Part NO: | PJY22126 | |
| SCALE | SHEET | REV. |
| 1:1 | 1/1 | A1 |