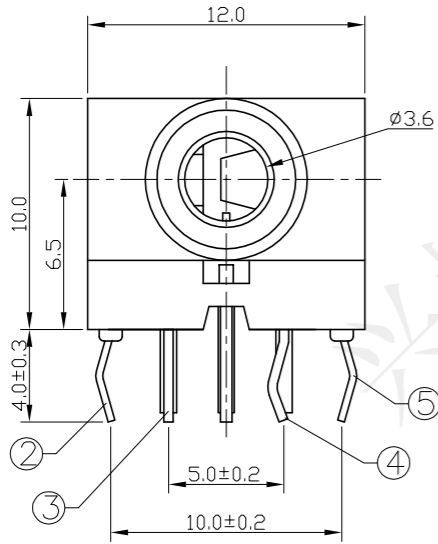
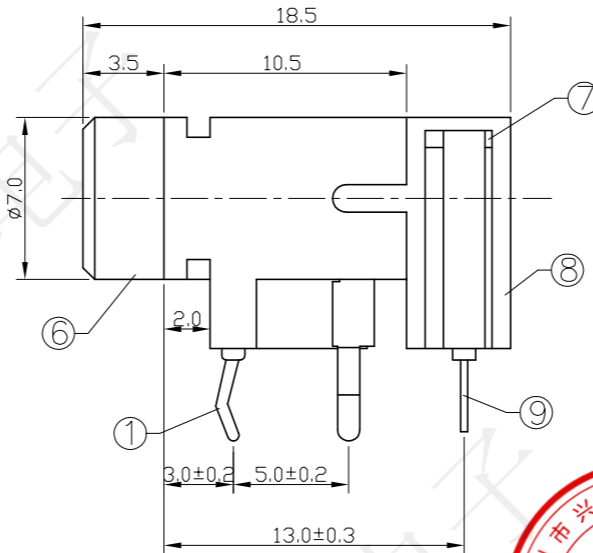


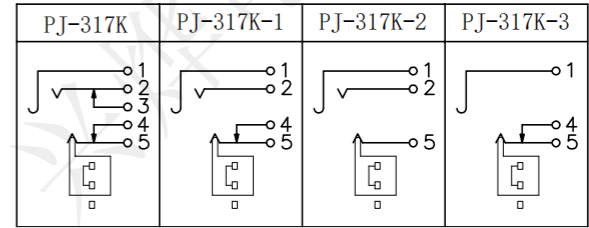
REV.	ECN NO.	DESCRIPTION	DRAW	APPD.	DATE
A	---				



P.C.B
LAYOUT
VIEW



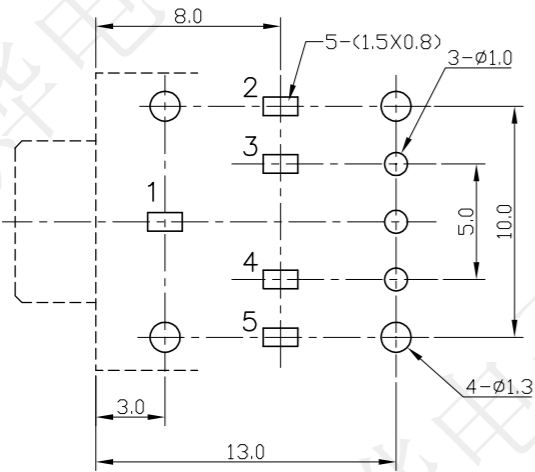
SCHEMATIC



受控文件



SPECIFICATION:
 Operating temperature:-16℃~55℃
 Rated loading:DC 30V 0.5A
 Contact resistance:50mΩ Max
 Insulation resistance:100MΩ Min
 Withstanding voltage:AC 500V (50Hz) /min
 Insertion force:5-30N
 Pullout force:5-30N
 Life: 5000 CYCLES



NO.	DESCRIPTION	QTY	MATERIAL	PLATING
9	6# CONTACT FOOT 3	3	H62 BRASS T=0.35	Ag-Plating
8	SWITCH HOUSING	1	PA66	
7	SWITCH COVER	1	PA66	
6	HOUSING	1	PBT	
5	5# CONTACT FOOT 1	1	PHOSPHOR BRONZE	Sn-Plating
4	4# CONTACT FOOT 1	1	H62 BRASS T=0.4	Sn-Plating
3	3# CONTACT FOOT 1	1	H62 BRASS T=0.4	Sn-Plating
2	2# CONTACT FOOT 1	1	PHOSPHOR BRONZE T=0.25	Sn-Plating
1	1# CONTACT FOOT 1	1	H62 BRASS T=0.5	Sn-Plating

深圳市兴烨电子有限公司 Shenzhen XingYe Electronics co., Ltd		Series Name :		
		Product Name : PJ-317K-8P卧插		
TOLERANCE		Part NO: PJY22125		
X.X ±0.30	X.° ±2°	APPD: 陈爱光	SCALE	SHEET
.XX ±0.20	.X° ±1°	CHEd: 施立敏	1:1	1/1
.XXX ±0.10	.XX° ±0.5°	DRAW: 马洪飞	REV.	A1
UNITS	mm			