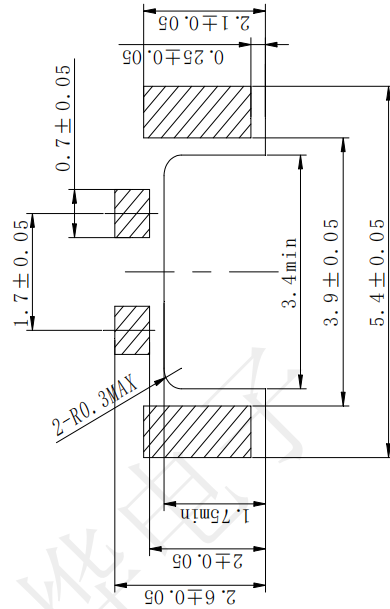
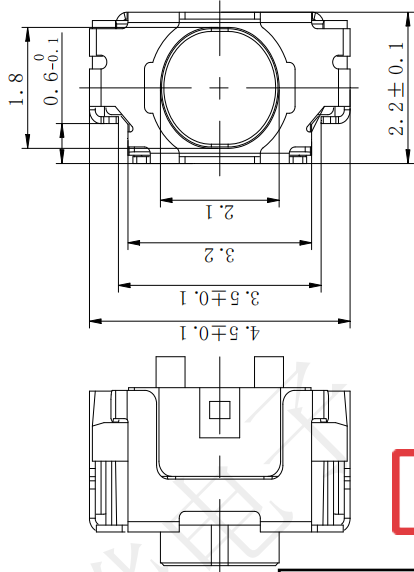
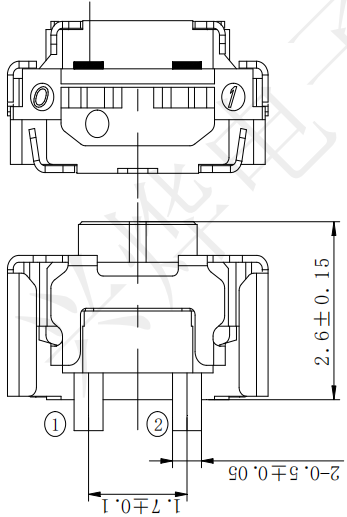
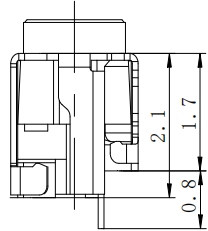


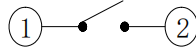
ROHS

Compatible

REV.	ECN NO.	DESCRIPTION	DRAW	APPD.	DATE
A	---				

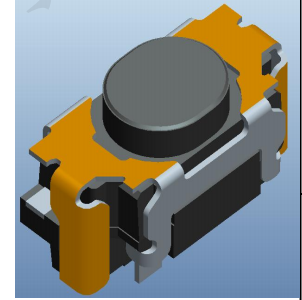
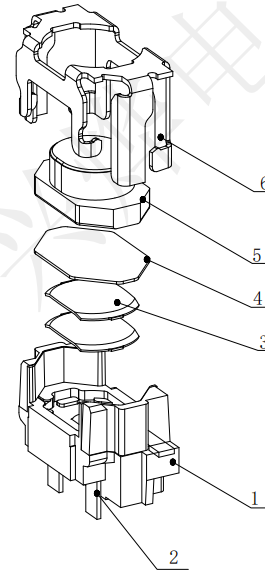


P. C. B LAND DIMENSION



CIRCUIT DIAGRAM

受控文件



SPECIFICATION:
 Operating temperature: -25°C~70°C
 Rated loading: DC 12V 50mA
 Contact resistance: 100mΩ Max
 Insulation resistance: 100MΩ Min
 Withstanding voltage: AC 250V (50Hz) /min
 Operating force: 250±70gf Max
 180±50gf Max
 Electrical Life: 30000 cycles
 Travel: 0.15±0.10 mm

NO (序号)	PART NAME (部件名)	QTY (数量)	MATERIAL (材料)	REMARK (备注)
6	COVER (盖板)	1	SUS304	Gold spraying
5	STEM (按钮)	1	LCP	BLACK
4	TAPE (防尘胶)	1	PI	
3	CONTACT FORM (弹片)	2	SUS301	Silver coated
2	TERMINAL (端子)	1	C5191	Ag plating
1	HOUSING (基座)	1	LCP	BLACK

深圳市兴烨电子有限公司
 ShenZhen XingYe Electronics co., Ltd

Series Name :
 2.2*4.5*2.6沉板侧按编带
 Product Description :

TSJ22278	2.2*4.5*2.6沉板侧按250G编带
TSJ22277	2.2*4.5*2.6沉板侧按180G编带
料号	型号

TOLERANCE		APPD: 陈爱光	Part NO:
XXX ±0.30	XX° ±2°		
XX ±0.20	X° ±1°	CHED: 施立敏	SCALE SHEET REV. 1:1 1/1 A1
.XXX ±0.10	.XX° ±0.5°		
UNITS	mm	DRAW: 马洪飞	