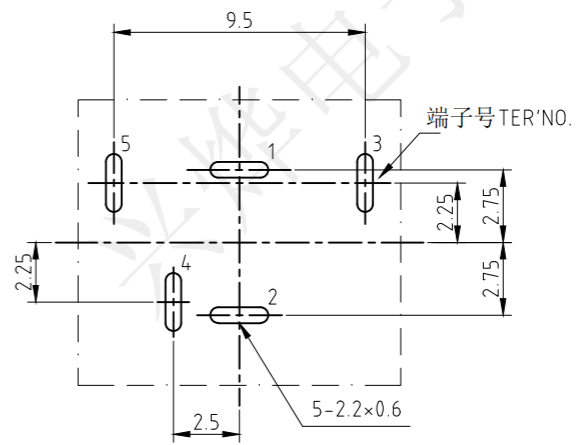
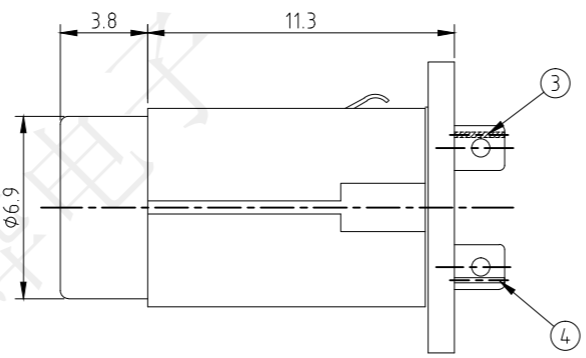
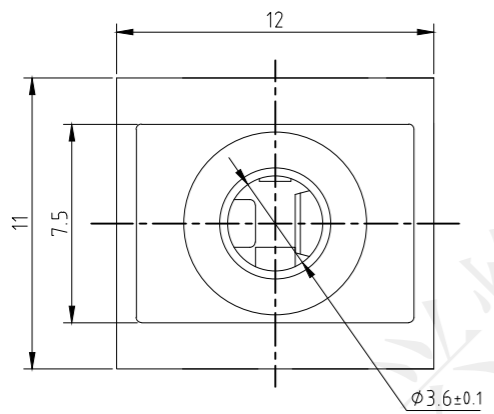


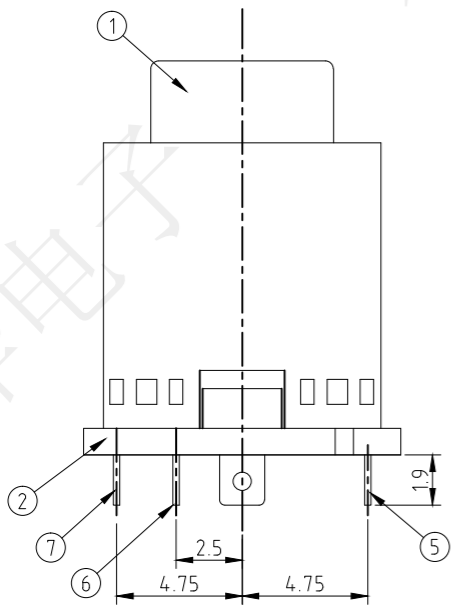
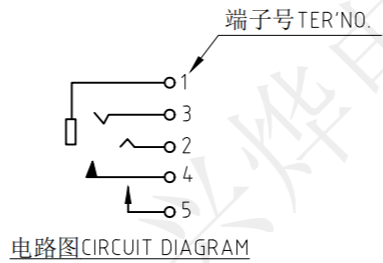
REV.	ECN NO.	DESCRIPTION	DRAW	APPD.	DATE
A	---				



PCB孔尺寸PCB HOLES (顶视图TOP VIEW) t=1.6mm  
注NOTE:未注公差GENERAL TOLERANCE ±0.1mm

**SPECIFICATION:**  
 Operating temperature:-16℃~55℃  
 Rated loading:DC 30V 0.3A  
 Contact resistance:30mΩ Max  
 Insulation resistance:100MΩ Min  
 Withstanding voltage:AC 500V (50Hz) /min  
 Insertion force:3-20N  
 Pullout force:3-20N  
 Life: 5000 CYCLES

**受控文件**



⑦	5#端子TERMINAL	5	1	磷铜QSn6.5-01 t=0.25	镀银Silver plating
⑥	4#端子TERMINAL	4	1	磷铜QSn6.5-01 t=0.25	镀银Silver plating
⑤	3#端子TERMINAL	3	1	磷铜QSn6.5-01 t=0.25	镀银Silver plating
④	2#端子TERMINAL	2	1	磷铜QSn6.5-01 t=0.25	镀银Silver plating
③	1#端子TERMINAL	1	1	磷铜QSn6.5-01 t=0.25	镀银Silver plating
②	盖子COVER		1	PBT 4815	绿色
①	底座HOUSING		1	PBT 4815	黑色BLACK
NO.	零件名称PART NAME	端子号TER'NO.	数量QTY.	材料MATERIAL	备注REMARK



<b>深圳市兴烨电子有限公司</b> Shenzhen XingYe Electronics co., Ltd		Series Name :	
TOLERANCE		Product Name :	
X.X ±0.30	X.° ±2°	PJ-377A 五脚插带开关	
.XX ±0.20	.X° ±1°	Part NO: PJY22121	
.XXX ±0.10	.XX° ±0.5°	SCALE SHEET REV.	
UNITS mm	APPD: 陈爱光	1:1	1/1
	CHED: 施立敏	A1	
	DRAW: 马洪飞		