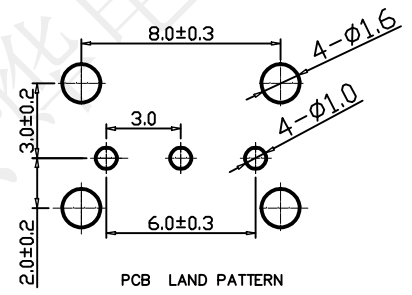
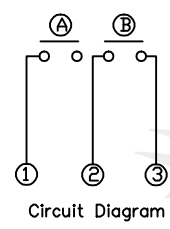
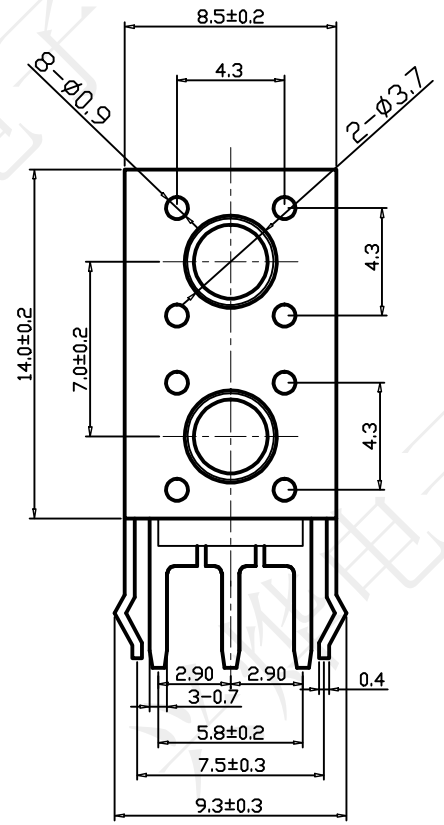
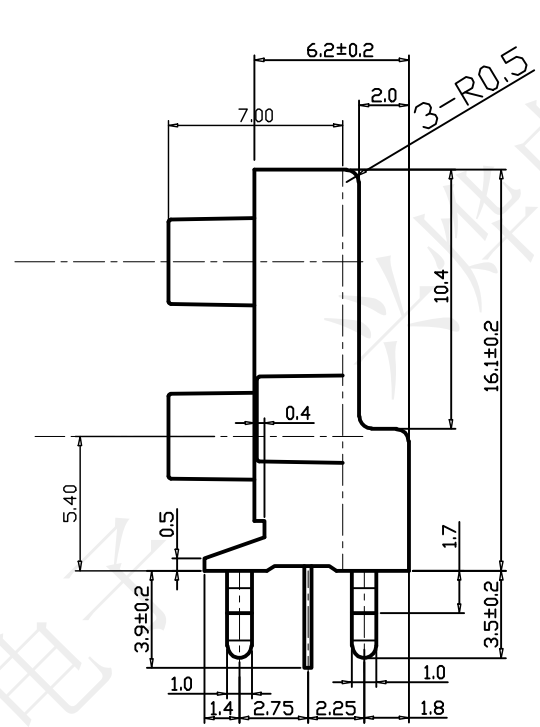


REV.	ECN NO.	DESCRIPTION	DRAW	APPD.	DATE
A	---				



SPECIFICATION:
 Operating temperature: -25℃~70℃
 Rated loading: AC 12V 50mA
 Contact resistance: 30mΩ Max
 Insulation resistance: 100MΩ Min
 Withstanding voltage: AC 250V (50Hz) /min
 Operating force: 160±30gf Max
 Electrical Life: 50000 cycles
 Travel : 0.25±0.1mm



受控文件

料号	H±0.1	料号	H±0.1
TSP21210	4.3	TSP21218	9.0
TSP21211	4.5	TSP21219	9.50
TSP21212	5.0	TSP21220	11.0
TSP21213	5.5	TSP21221	12.0
TSP21214	6.0	TSP21222	12.5
TSP21215	7.0	TSP21223	13.0
TSP21216	8.0	TSP21224	14.0
TSP21217	8.5	TSP21225	17.0

深圳市兴烨电子有限公司
 ShenZhen XingYe Electronics co., Ltd

TOLERANCE		
XX ±0.30	X° ±2°	APPD: 陈爱光
.XX ±0.20	X° ±1°	CHEd: 施立敏
.XXX ±0.10	XX° ±0.5°	DRAW: 马洪飞
UNITS	mm	

No	PART	QTY	MATERIAL	FINISH	REMARK
5	SHRAPNEL	1	PHOSPHOR		Ag
4	TERMINAL	1	BRONZEH62-Y	t=0.3	Ag
3	COVER	1	SPCC	t=0.4	Sn-cu
2	KNOB	1	PA66		BLACK
1	BASE	1	PA66(G30)		BLACK

Series Name : 6*6*H双层按钮支架160G			
Product Description :			
Part NO:			
	SCALE	SHEET	REV.
	1:1	1/1	A1