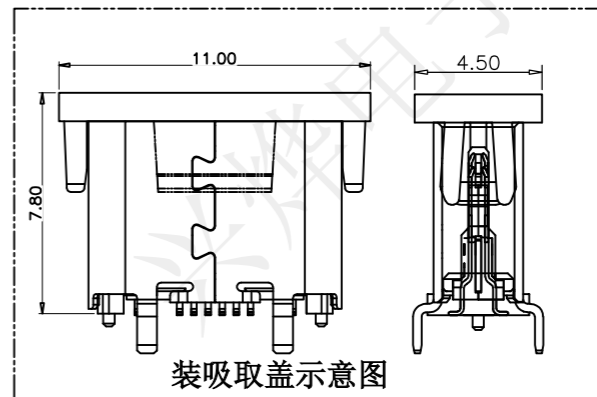


REV.	ECN NO.	DESCRIPTION	DRAW	APPD.	DATE
A	---				

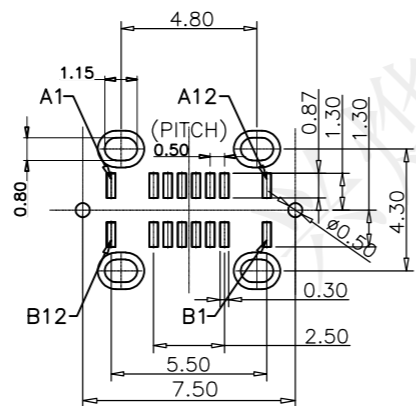
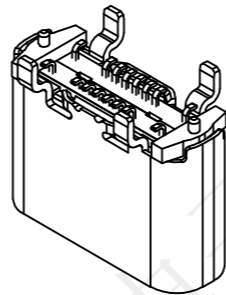
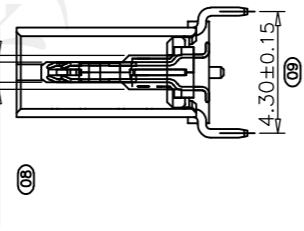
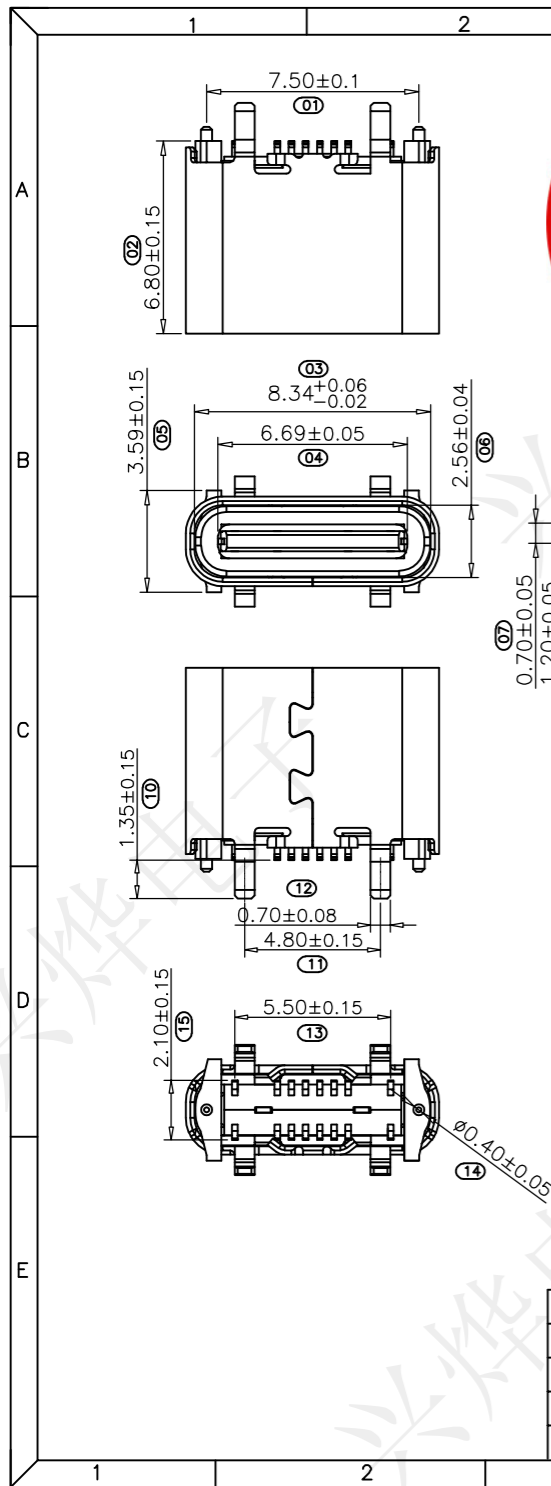


受控文件

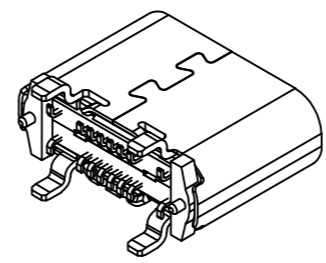


1. MECHANICAL PERFORMANCE,
 - 1-1. INSERTION FORCE: 5-20N
 - 1-2. REMOVAL FORCE: 8-20N
 - 1-3. DURABILITY: 10000 CYCLES.
2. ELECTRICAL PERFORMANCE,
 - 2-1. CURRENT RATING: 5A
VOLTAGE RATING: 20V
 - 2-2. INSULATION RESISTANCE: 100MΩ MIN
 - 2-3. DIELECTRIC WITHSTAND VOLTAGE, AC 100V FOR 1 MINUTE.
3. ENVIRONMENTAL PERFORMANCE:
 - OPERATING TEMPERATURE: -30° C~+85° C.
4. IR REFLOW:
 - THE PEAK TEMPERATURE ON THE BOARD SHALL BE MAINTAINED FOR 10 SECONDS AT 260° C.

A1	GND	B12	GND
A4	VBUS	B9	VBUS
A5	CC1	B8	SBU2
A6	DP1	B7	DN2
A7	DN1	B6	DP2
A8	SBU1	B5	CC2
A9	VBUS	B4	VBUS
A12	GND	B1	GND
PIN	SIGNAL NAME	PIN	SIGNAL NAME



RECOMMENDED P.C.B. LAYOUT
TOLERANCE UNSPECIFIED ±0.05mm



4	Front shell	SUS304	Ni/SN plated
3	Mid plate	SUS301	
2	Contact	高导铜C7025	Au/Ni plated
1	Housing	LCP	UL94V-0
NO.	Part name	Material	Remarks

深圳市兴烨电子有限公司
Shenzhen XingYe Electronics co., Ltd

TOLERANCE

X.X	±0.30	X.°	±2°
.XX	±0.20	.X°	±1°
.XXX	±0.10	.XX°	±0.5°

UNITS mm

APPD: 陈爱光
CHED: 施立敏
DRAW: 马洪飞

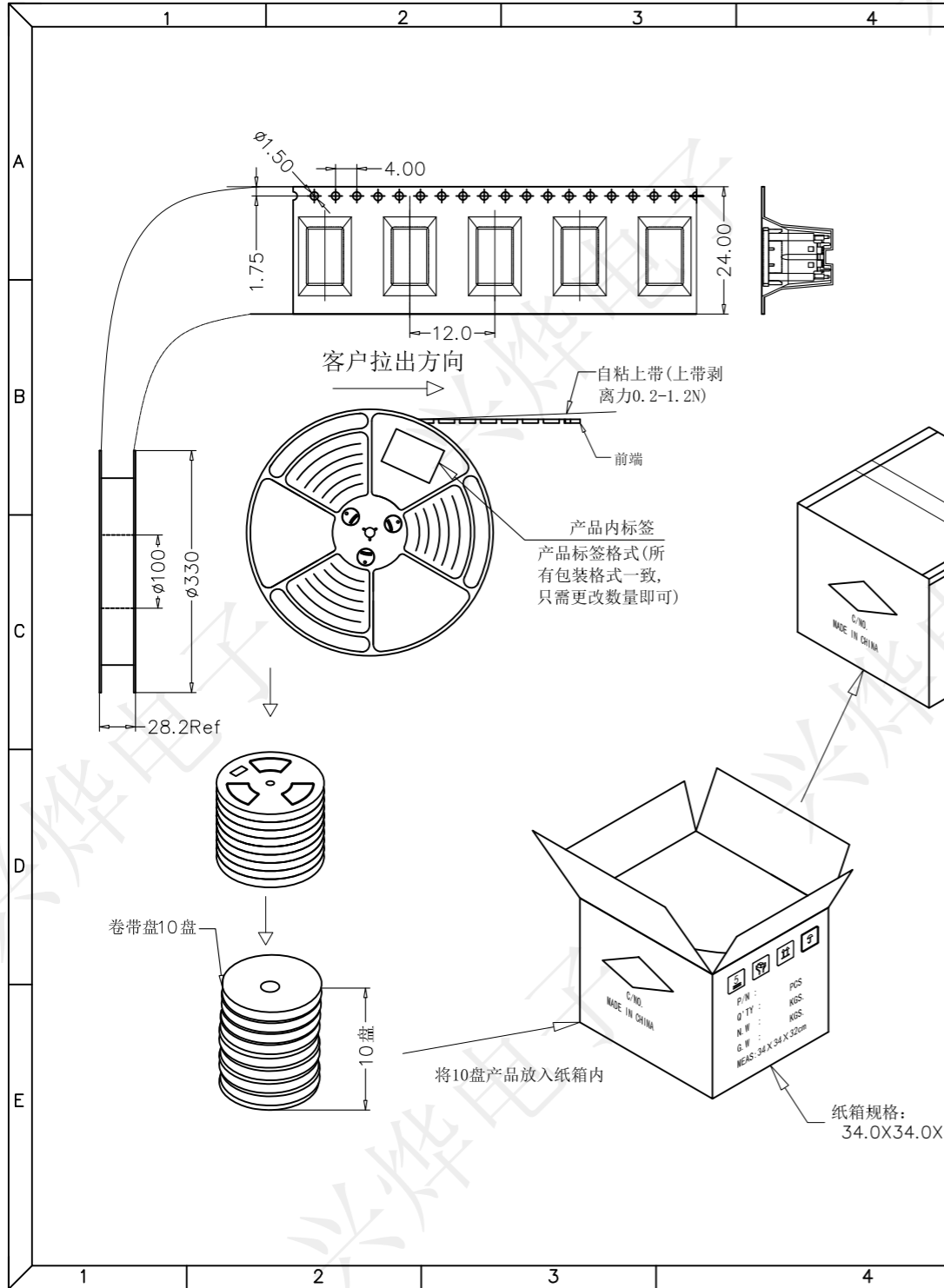
Series Name :

Product Name :
TYPE-CF-16P立贴H6.8加盖编带

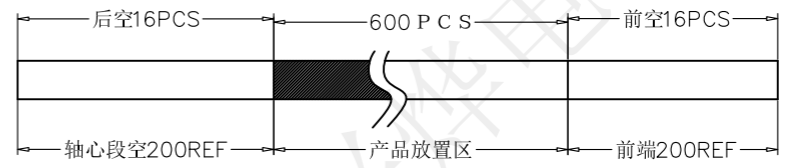
Part NO: UCY27421

SCALE	SHEET	REV.
1:1	1/1	A1

REV.	ECN NO.	DESCRIPTION	DRAW	APPD.	DATE



包装示意图:



备注:

1. 把上下载带送入载带机进行调整, 然后将产品按照指定的方式摆入下载带中, 开动卷带机进行卷装 (每卷包600PCS), 卷装完成后需用上带缠绕最少20CM;
2. 在卷装OK的每卷盘面的指定位置上贴上物料和RoHS标签装入纸箱内; 每箱装10盘
3. 纸箱用封箱带将其封好, 胶带要求工字型, 不可遮住标签;
4. 如果客户对包装标签另有要求, 请按客户要求作业; 有未满之零数箱需用缓冲材料填充;
5. 上载带剥离力: 0.2-1.2N. ;



受控文件

深圳市兴烨电子有限公司 ShenZhen XingYe Electronics co., Ltd		Series Name :	
		Product Name : TYPE-CF-16P立贴H6.8加盖编带	
TOLERANCE		Part NO: UCY27421	
X.X ±0.30	X.° ±2°	APPD: 陈爱光	SCALE SHEET REV. 1:1 1/1 A1
.XX ±0.20	.X° ±1°	CHED: 施立敏	
.XXX ±0.10	.XX° ±0.5°	DRAW: 马洪飞	
UNITS	mm		