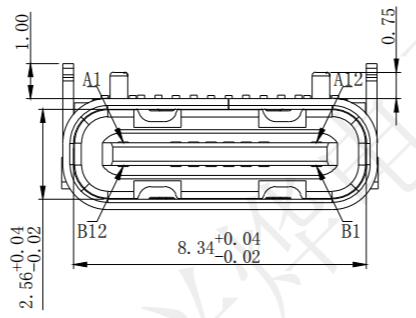
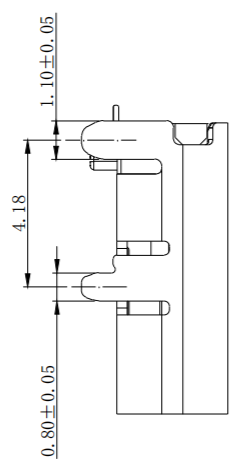
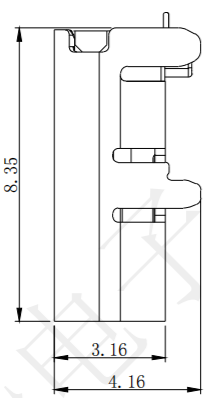
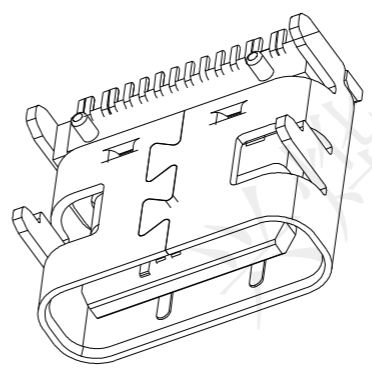
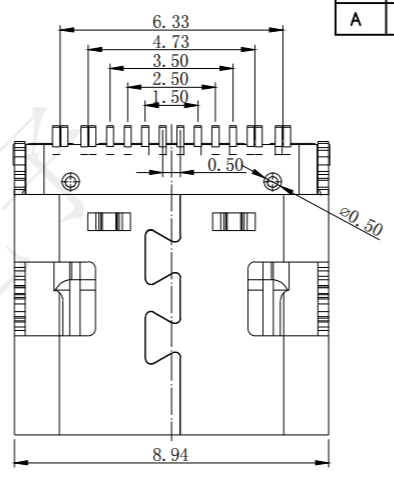
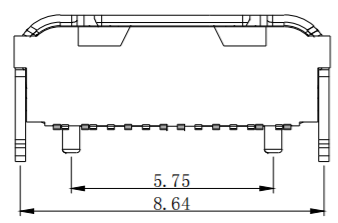
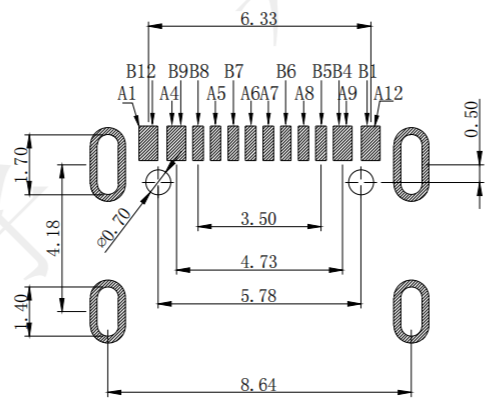


REV.	ECN NO.	DESCRIPTION	DRAW	APPD.	DATE
A	---				

A1	GND	B12	GND
A4	VBUS	B9	VBUS
A5	CC1	B8	SBU2
A6	DP1	B7	DN2
A7	DN1	B6	DP2
A8	SBU1	B5	CC2
A9	VBUS	B4	VBUS
A12	GND	B1	GND
PIN	SIGNAL NAME	PIN	SIGNAL NAME



NOTES:
 1. MECHANICAL: MATING FORCE: 5-20N .
 UNMATING FORCE: 8-20N .
 DURABILITY: 10000 CYCLES MIN.
 2. ELECTRICAL:
 CURRENT: 5.0A MAX
 VOLTAGE: 20V MAX
 WITHSTANDING VOLTAGE: 100V AC
 CONTACT RESISTANCE: 40 mΩ MAX INITIAL;
 50 mΩ MAX AFTER 10000 CYCLES
 3. ENVIRONMENTAL:
 OPERATING TEMPERATURE RANGE -30° C ~ +80° C
 4. Salt Spray: 48H



序号	名称	材料规格
1	Terminal	C7025 TMO2 T=0.15mm 电镀全金 Au:GF Ni:50u"
2	Terminal	C7025 TMO2 T=0.15mm 电镀全金 Au:GF Ni:50u"
3	Molding 1	LCP+30%G.F黑色 UL94 V-0
4	Molding 2	LCP+30%G.F黑色 UL94 V-0
5	Molding 3	LCP+30%G.F黑色 UL94 V-0
6	Shell	SUS301 1/2H T=0.30mm Ni:50u"



受控文件

深圳市兴烨电子有限公司
 ShenZhen XingYe Electronics co., Ltd

TOLERANCE	
XX ±0.30	X° ±2°
XX ±0.20	X° ±1°
XXX ±0.10	XX° ±0.5°
UNITS	mm

Series Name :			
Product Name : TYPE-CF-16P板上四脚插L8.35			
Part NO:		UCM27548	
	SCALE	SHEET	REV.
	1:1	1/1	A1