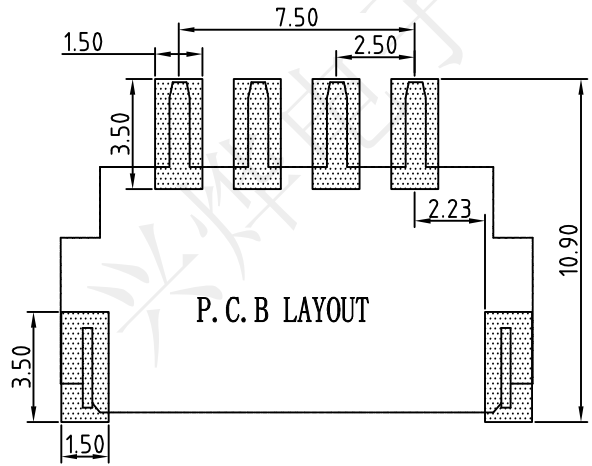
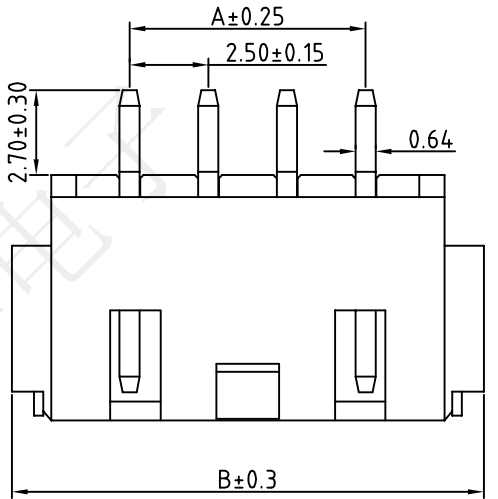
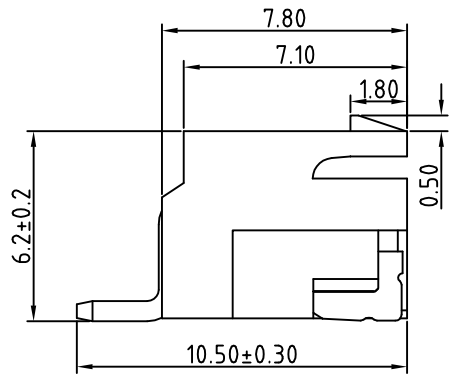
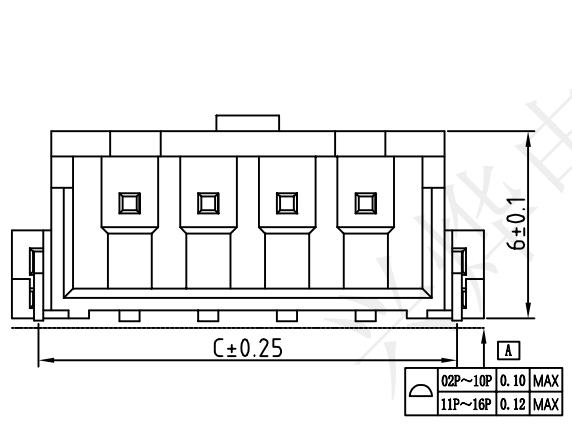
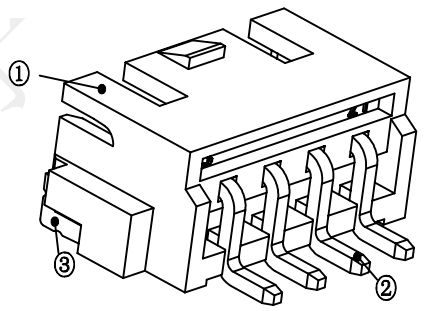


REV.	ECN NO.	DESCRIPTION	DRAW	APPD.	DATE
A	---				



- SPECIFICATIONS**
- 1、Current Rating: 3A AC, DC
 - 2、Voltage Rating: 250V AC, DC
 - 3、Temperature Range: -25℃~+85℃
 - 4、Contact Resistance: 20mΩ Max
 - 5、Insulation Resistance: 800MΩ Min
 - 6、Withstanding Voltage: 500V AC/minute
 - 7、Material: LCP UL94V-0
PIN brass Tin-plated
Solder tab brass Tin-plated

PIN数	料号	尺寸		
		A	B	C
2P	TZL24380	2.50	10.00	8.30
3P	TZL24381	5.00	12.50	10.80
4P	TZL24382	7.50	15.00	13.30
5P	TZL24383	10.00	17.50	15.80
6P	TZL24384	12.50	20.00	18.30
7P	TZL24385	15.00	22.50	20.80
8P	TZL24386	17.50	25.00	23.30
9P	TZL24387	20.00	27.50	25.80
10P	TZL24388	22.50	30.00	28.30
11P	TZL24389	25.00	32.50	30.80
12P	TZL24390	27.50	35.00	33.30
13P	TZL24391	30.00	37.50	35.80
14P	TZL24392	32.50	40.00	38.30
15P	TZL24393	35.00	42.50	40.80
16P	TZL24394	37.50	45.00	43.30



受控文件

深圳市兴烨电子有限公司
ShenZhen XingYe Electronics co., Ltd

TOLERANCE		APPD: 姚人凤 CHED: 施立敏 DRAW: 马洪飞
X.X	±0.30 X.* ± 2*	
.XX	±0.20 .X.* ± 1*	
.XXX	±0.10 .XX.* ± 0.5*	
UNITS	mm	

Series Name : 2.5间距 卧式贴片带扣系列
Product Description :

Part No:

SCALE	SHEET	REV.
1:1	1/1	A1