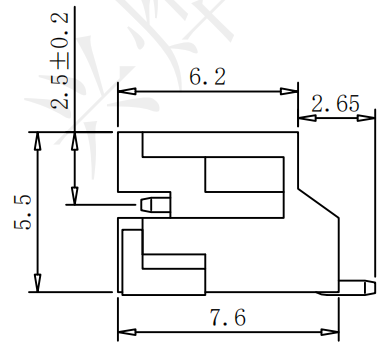
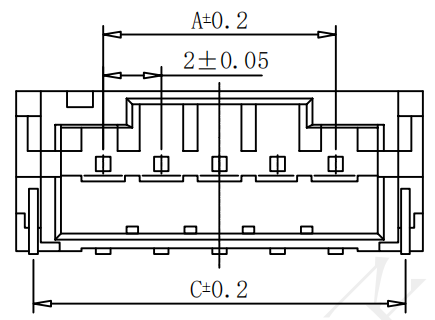
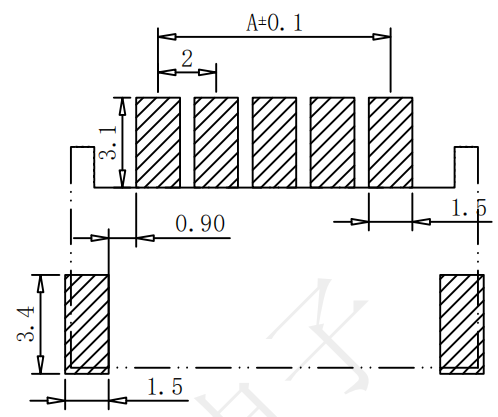
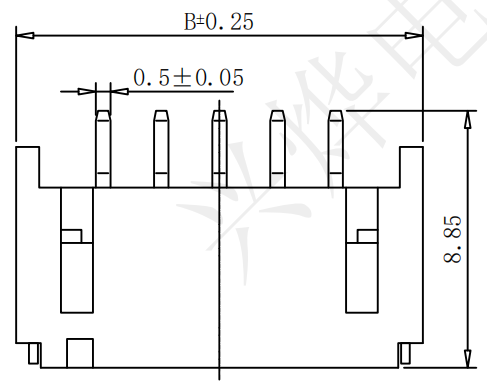


REV.	ECN NO.	DESCRIPTION	DRAW	APPD.	DATE
A	---				

PCB LAYOUT



SPECIFICATIONS

- 1、 Current Rating: 2A AC, DC
- 2、 Voltage Rating: 250V AC, DC
- 3、 Temperature Range: -25℃~+85℃
- 4、 Contact Resistance: 20mΩ Max
- 5、 Insulation Resistance: 1000MΩ Min
- 6、 Withstanding Voltage: 500V AC/minute
- 7、 Material: LCP 6T,UL94V-0
PIN brass Tin-plated
Solder tab brass Tin-plated

PIN数	料号	尺寸		
		A	B	C
2P	TZL24084	2.0	8.0	6.8
3P	TZL24085	4.0	10.0	8.8
4P	TZL24086	6.0	12.0	10.8
5P	TZL24087	8.0	14.0	12.8
6P	TZL24088	10.0	16.0	14.8
7P	TZL24089	12.0	18.0	16.8
8P	TZL24090	14.0	20.0	18.8
9P	TZL24091	16.0	22.0	20.8
10P	TZL24092	18.0	24.0	22.8
11P	TZL24093	20.0	26.0	24.8
12P	TZL24094	22.0	28.0	26.8
13P	TZL24095	24.0	30.0	28.8
14P	TZL24096	26.0	32.0	30.8
15P	TZL24097	28.0	34.0	32.8
16P	TZL24098	30.0	36.0	34.8



受控文件

深圳市兴烨电子有限公司
ShenZhen XingYe Electronics co., Ltd

TOLERANCE		APPD: 陈爱光 CHED: 施立敏 DRAW: 马洪飞
.XX	±0.30 X° ±2°	
.XX	±0.20 X° ±1°	
.XXX	±0.10 XX° ±0.5°	
UNITS	mm	

Series Name : 2.0间距 卧式贴片系列
Product Description :

Part NO:	SCALE	SHEET	REV.
	1:1	1/1	A1