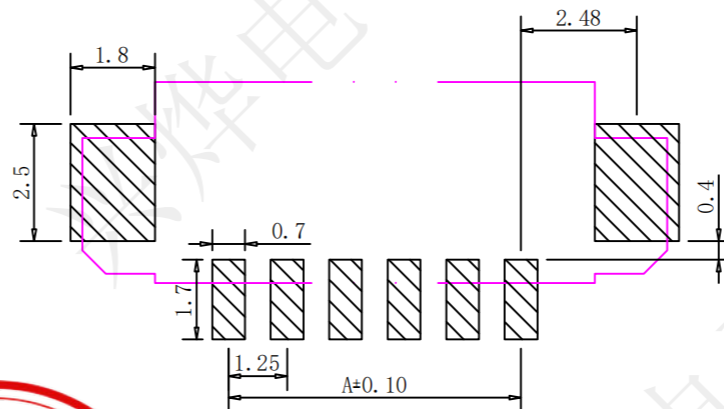
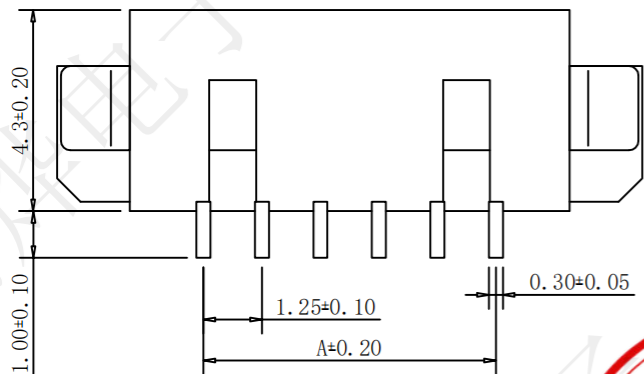
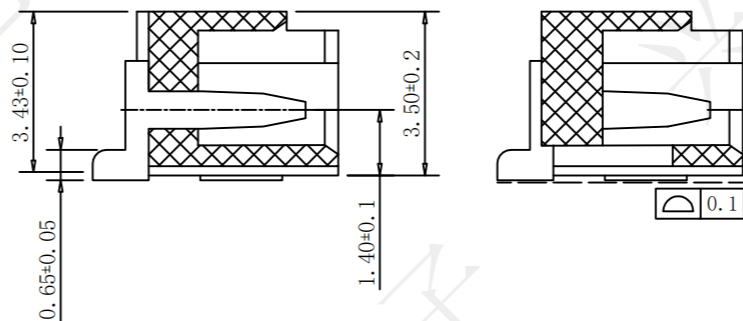
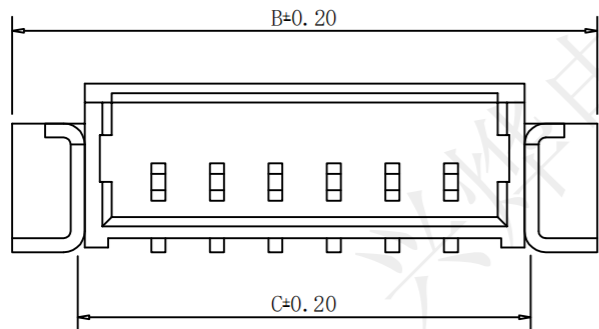


REV.	ECN NO.	DESCRIPTION	DRAW	APPD.	DATE
A	---				

受控文件

SPECIFICATIONS

- 1、Current Rating: 1A AC, DC
- 2、Voltage Rating: 125V AC, DC
- 3、Temperatuer Range: -25℃~+85℃
- 4、Contact Resistance: 20mΩ Max
- 5、Insulation Resistance: 500MΩ Min
- 6、Withstanding Voltang: 500V AC/minute
- 7、Material: LCP UL94V-0
PIN brass Tin-plated
Solder tad brassTin-plated



PCB LAYOUT

PIN数	料号	尺寸		
		A	B	C
2P	TZL24020	1.25	7.50	4.75
3P	TZL24021	2.50	8.75	6.00
4P	TZL24022	3.75	10.00	7.25
5P	TZL24023	5.00	11.25	8.50
6P	TZL24024	6.25	12.50	9.75
7P	TZL24025	7.50	13.75	11.00
8P	TZL24026	8.75	15.00	12.25
9P	TZL24027	10.00	16.25	13.50
10P	TZL24028	11.25	17.50	14.75
11P	TZL24029	12.50	18.75	16.00
12P	TZL24030	13.75	20.00	17.25
13P	TZL24031	15.00	21.25	18.50
14P	TZL24032	16.25	22.50	19.75
15P	TZL24033	17.50	23.75	21.00
16P	TZL24034	18.75	25.00	22.25
17P	TZL24035	20.00	26.25	23.50
18P	TZL24036	21.25	27.50	24.75
19P	TZL24037	22.50	28.75	26.00
20P	TZL24038	23.75	30.00	27.25



		Series Name :	
		1.25间距 卧式贴片系列	
深圳市兴烨电子有限公司 ShenZhen XingYe Electronics co., Ltd		Product Name :	
		Part NO:	
TOLERANCE		APPD: 陈爱光	
.XX ±0.30	X° ±2°	CHED: 施立敏	
.XX ±0.20	.X° ±1°	DRAW: 马洪飞	
.XXX ±0.10	.XX° ±0.5°		
UNITS	mm		

	SCALE	SHEET	REV.
	1:1	1/1	A1