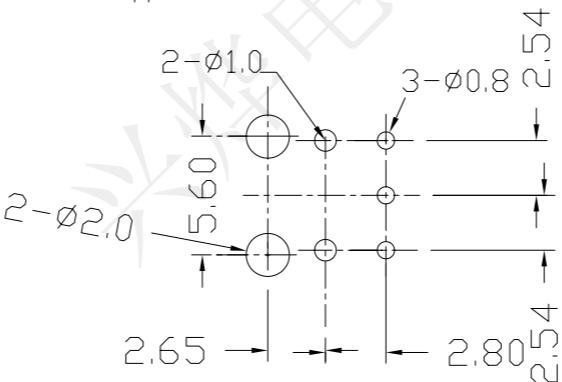
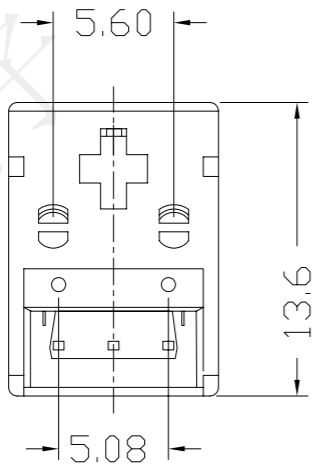
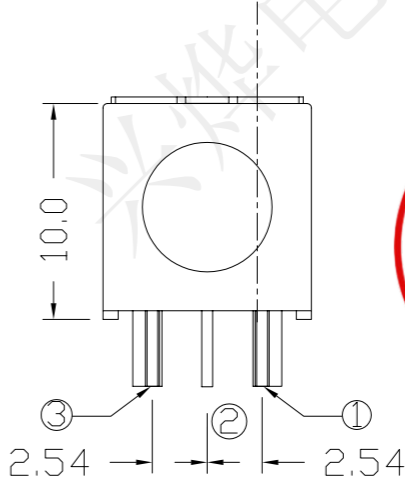
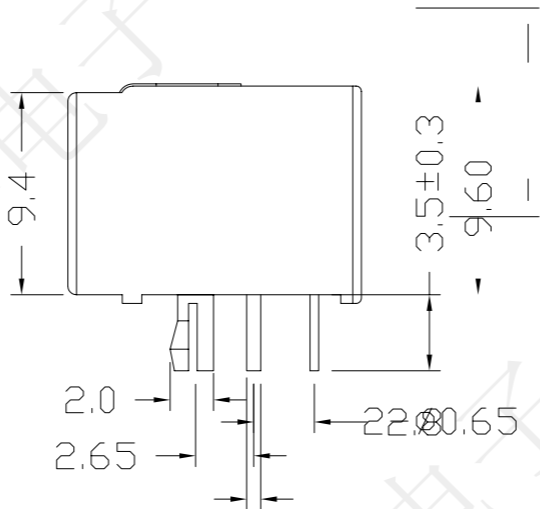
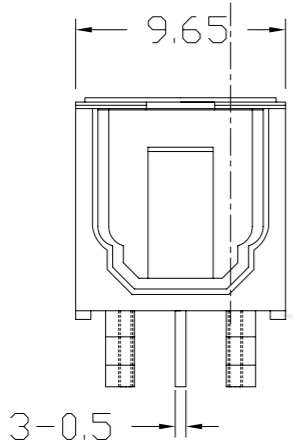


受控文件



Pin Function	
T	R
① Vin	① Vcc
② Vcc	② GND
③ GND	③ Vout

Recommended P.C.Board hole

5	Chip support	1	015-05	Chip support	BRASS t=0.4	PLATING SILVER
4	Play a needle	1	-015-04	Play a needle	Stainless steel	
3	Put needle	2	015-03	Put needle	BRASS	PLATING SILVER
2	Door Slice	1	015-02	Door Slice	PA66+30%GF	Black
1	HOUSING	1	015-01	015 HOUSING	PA66+30%GF	Black
ITEM	PART NUME	Q'TY/EA	DRAWING NO	ITEM NO	MATERIAL	FINISH

深圳市兴烨电子有限公司
ShenZhen XingYe Electronics co., Ltd

Series Name :		
Product Name : 光纤座015接收		
Part NO: GQZD11002		
	SCALE 1:1	SHEET 1/1
		REV. A1

TOLERANCE			
X.X	±0.30	X.°	±2°
.XX	±0.20	.X°	±1°
.XXX	±0.10	.XX°	±0.5°
UNITS	mm		

APPD: 陈爱光
CHED: 施立敏
DRAW: 马洪飞