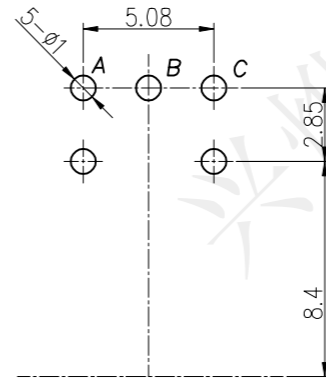
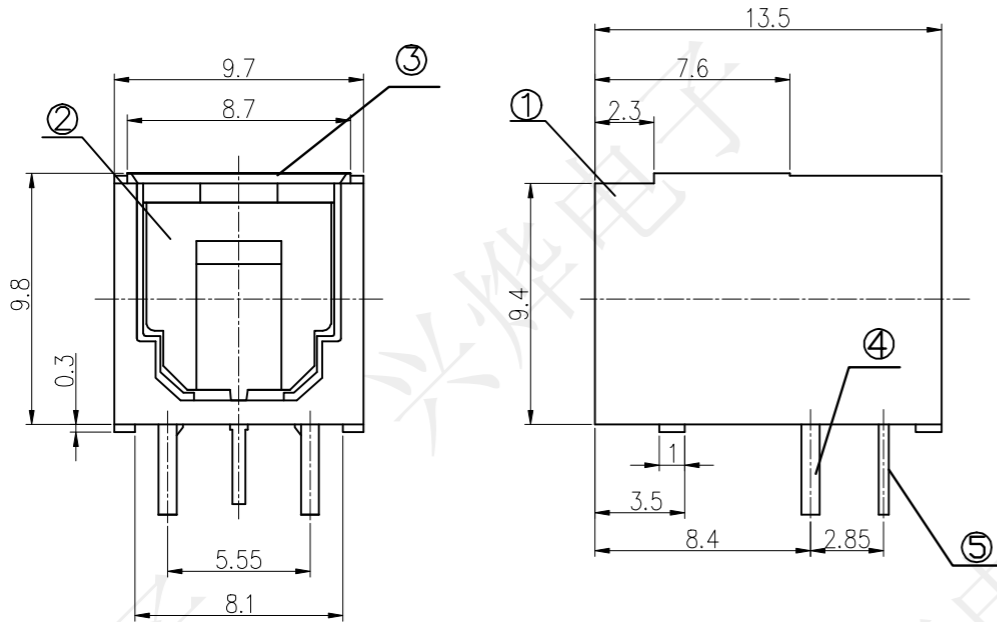
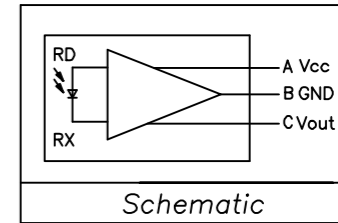


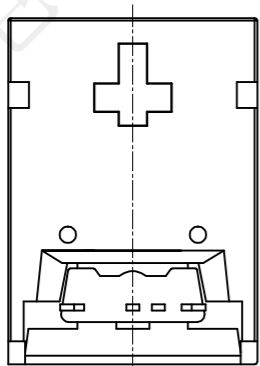
REV.	ECN NO.	DESCRIPTION	DRAW	APPD.	DATE
A	---				



RECOMMENDED PCB LAYOUT  
TOP VIEW (TOLERANCE:±0.05)



受控文件



⑤	TERMINAL	1	SPCC	MB: Tin PLATED	
④	DRIVE IC	1	16Mbps(Max)		
③	SPRING	1	SUS301		
②	COVER	1	PBT	BLACK	
①	HOUSING	1	PA66	BLACK	
NO.	PART NAME	Q'TY	MATERIAL	FINISH	REMARK

		Series Name :
深圳市兴烨电子有限公司 ShenZhen XingYe Electronics co., Ltd		Product Name :
TOLERANCE X.X ±0.30 X.° ±2° .XX ±0.20 .X° ±1° .XXX ±0.10 .XX° ±0.5° UNITS mm		Part NO: GQZL11001
APPD: 陈爱光 CHED: 施立敏 DRAW: 马洪飞		SCALE SHEET REV. 1:1 1/1 A1

Series Name :	
Product Name :	GQ-1150B接收
Part NO:	GQZL11001
SCALE	SHEET
1:1	1/1
REV.	A1