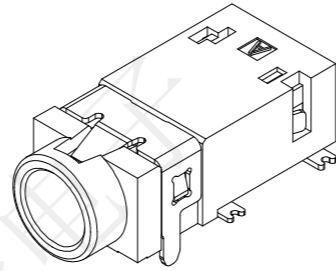
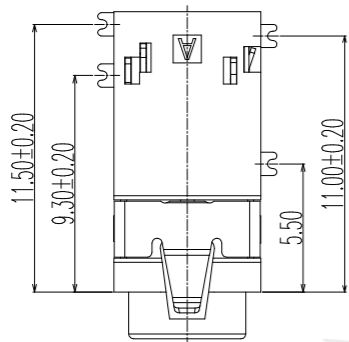
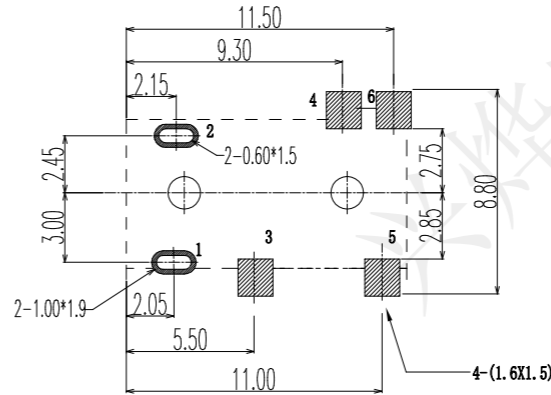


REV.	ECN NO.	DESCRIPTION	DRAW	APPD.	DATE
A	---				



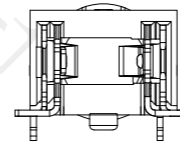
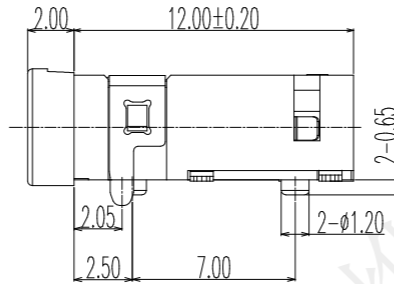
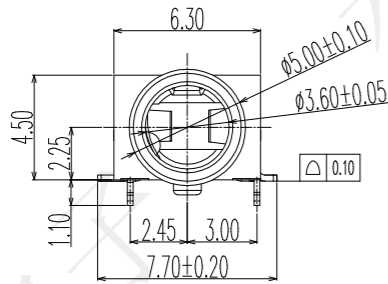
3D VIEW



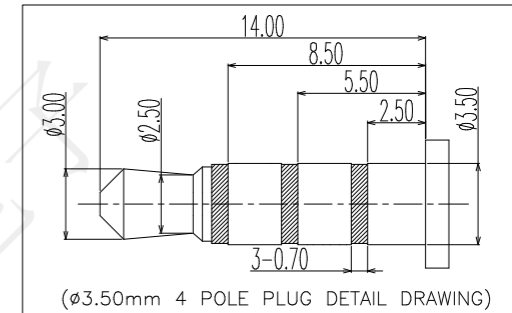
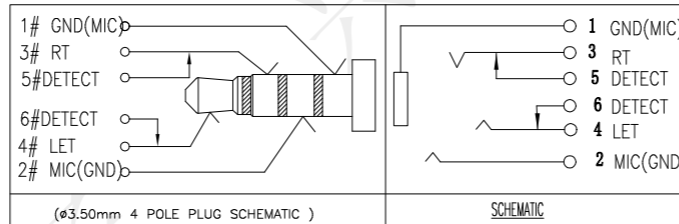
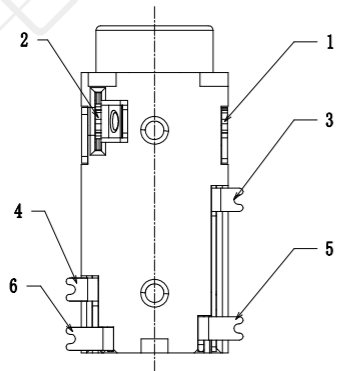
P.C.B LAYOUT
TOP VIEW



受控文件



1. CONTACT CURRENT RATING: 1A.
2. CONTACT RESISTANCE: 30 mΩ MAX.;
3. INSULATION RESISTANCE: 100MΩ MIN.;
4. DIELECTRIC WITHSTANDING: 500V AC MIN.;
5. DURABILITY: 5,000 CYCLES MIN.;
6. CONNECTOR MATING FORCES: 29.4N MAX.;
7. CONNECTOR UNMATING FORCES: 2.94N MIN.;



ITEM	NAME	Q'TY	DESCRIPTION	NOTE
7	HOUSING	1	PPA COLOR BLACK	
6	TERMINAL 6#	1	BRASS; THE BOTTOM OF THE NICKEL,GOLD PLATING ON SOLDER AREA ;	T=0.20
5	TERMINAL 5#	1		T=0.20
4	TERMINAL 4#	1	PHOSPHOR BRONZE; NICKEL UNDER PLATING OVERALL,GOLD PLATING ON SOLDER AREA ;GOLD PLATING ON CONTACT AREA	T=0.20
3	TERMINAL 3#	1		T=0.20
2	TERMINAL 2#	1	PHOSPHOR BRONZE; THE BOTTOM OF THE NICKEL; THE WHOLE GOLD PLATING.	T=0.20
1	TERMINAL 1#	1		T=0.20

深圳市兴烨电子有限公司
Shenzhen XingYe Electronics co., Ltd

TOLERANCE

X.X	±0.30	X.°	±2°
.XX	±0.20	.X°	±1°
.XXX	±0.10	.XX°	±0.5°

UNITS mm

APPD: 陈爱光
CHED: 施立敏
DRAW: 马洪飞

Series Name :

Product Name : PJ-342B前插后贴带柱

Part NO: PJL22117

SCALE	SHEET	REV.
1:1	1/1	A1