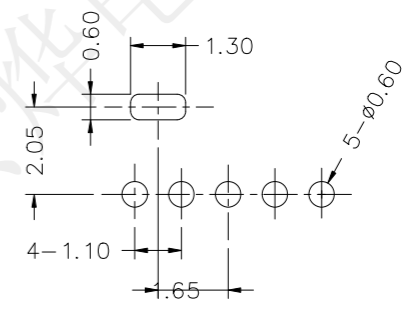
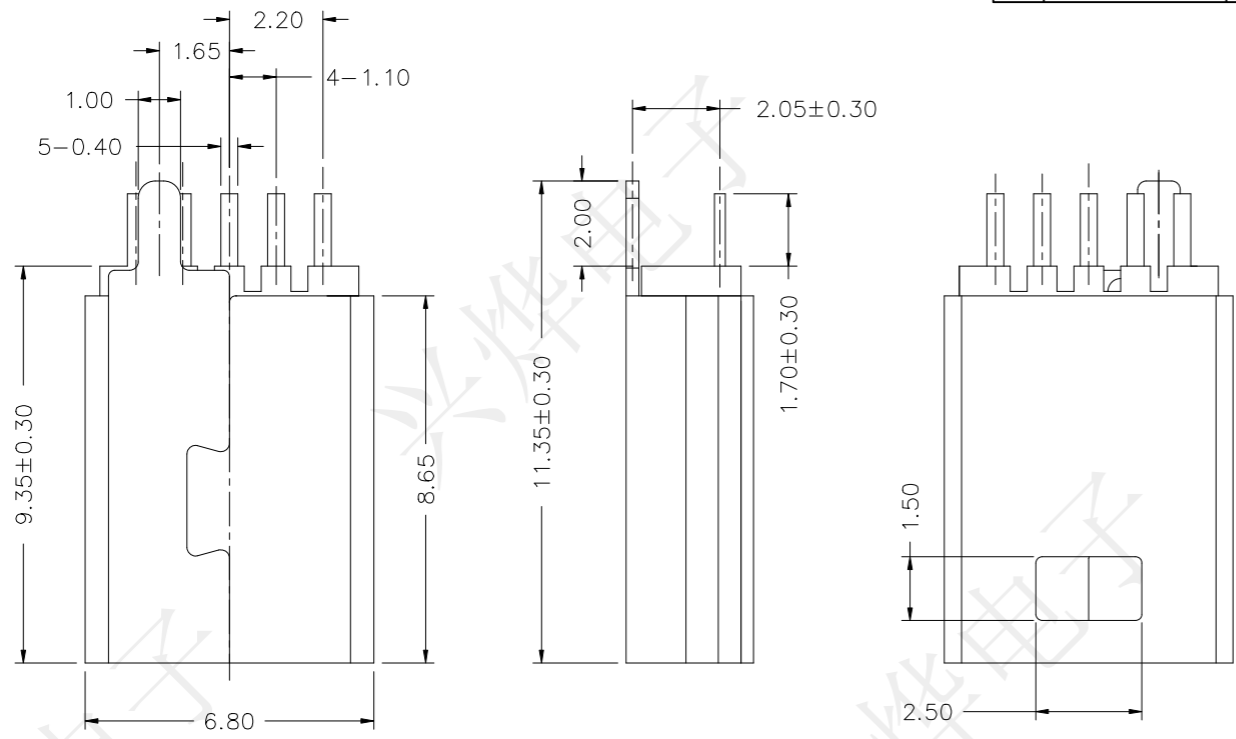
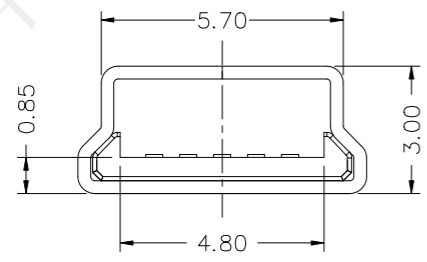


REV.	ECN NO.	DESCRIPTION	DRAW	APPD.	DATE
A	---				



受控文件

Specification:  
 Current rating: DC 1.5A 30V  
 Dielectric withstanding voltage: 100 V(ac) for 1 min.  
 Contact resistance: 50 mΩ Max.  
 Insulation resistance: 100 MΩ Min.  
 Total mating force: 3.57 Kgf Max.  
 Total unmating force: 0.71Kgf Min.  
 Temperature range: -30°C~80°C



3	Shell	1PCS	SPCC	t=0.3mm
2	Contacts	5PCS	copper alloy C5191	t=0.25mm
1	Housing	1PCS	PBT	black/UL94v-0
No.	Pare Name	Number	Material	Remarks

**深圳市兴烨电子有限公司**  
ShenZhen XingYe Electronics co., Ltd

Series Name :

Product Name :  
MINI-5P B/M公头一体式端子脚加长前五后五

Part NO: USBH48078

TOLERANCE		APPD: 陈爱光	 SCALE 1:1    SHEET 1/1    REV. A1
X.X ±0.30	X.° ±2°	CHED: 施立敏	
.XX ±0.20	.X° ±1°	DRAW: 马洪飞	
.XXX ±0.10	.XX° ±0.5°		
UNITS	mm		