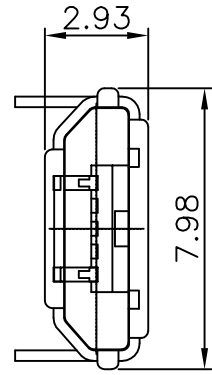
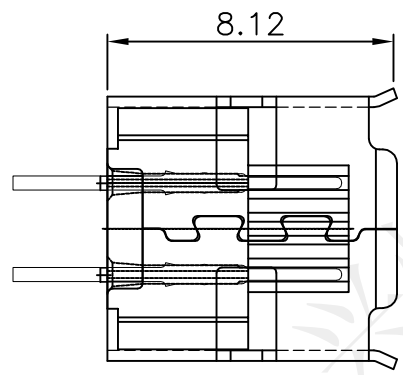
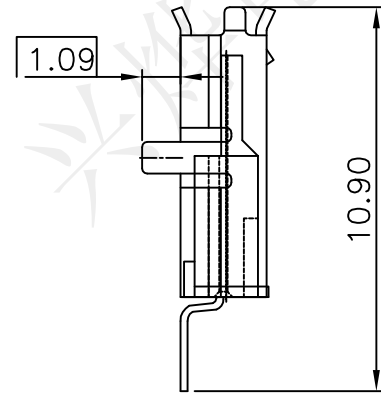
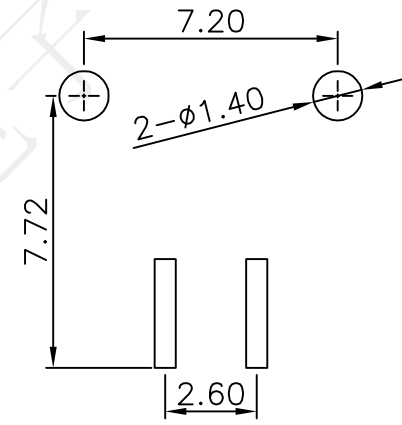


REV.	ECN NO.	DESCRIPTION	DRAW	APPD	DATE
A	---				



受控文件



Specification:
 Current rating: 1.5PIN 2 PIN 1A Max.
 Contact resistance: 30 mΩ Max.
 Insulation resistance: 100 MΩ Min.
 Total mating force: 3.57 Kgf Max.
 Total unmating force: 1.0 Kgf Min.
 Temperature range: -30°C~80°C

3	Shell	1PCS	copper alloy/SUS304	t=0.25mm
2	Contacts	2PCS	copper alloy	t=0.20mm
1	Housing	1PCS	LCP	UL94v-0
No.	Pare Name	Number	Material	Remarks

深圳市兴烨电子有限公司
 ShenZhen XingYe Electronics co., Ltd

TOLERANCE			
X.X	±0.30	X.°	±2°
.XX	±0.20	.X°	±1°
.XXX	±0.10	.XX°	±0.5°
UNITS	mm		

Series Name :		
Product Description :	MICRO-2P卷口8.12前插后贴	
Part NO:	MKF26234	
SCALE	SHEET	REV.
1:1	1/1	A1