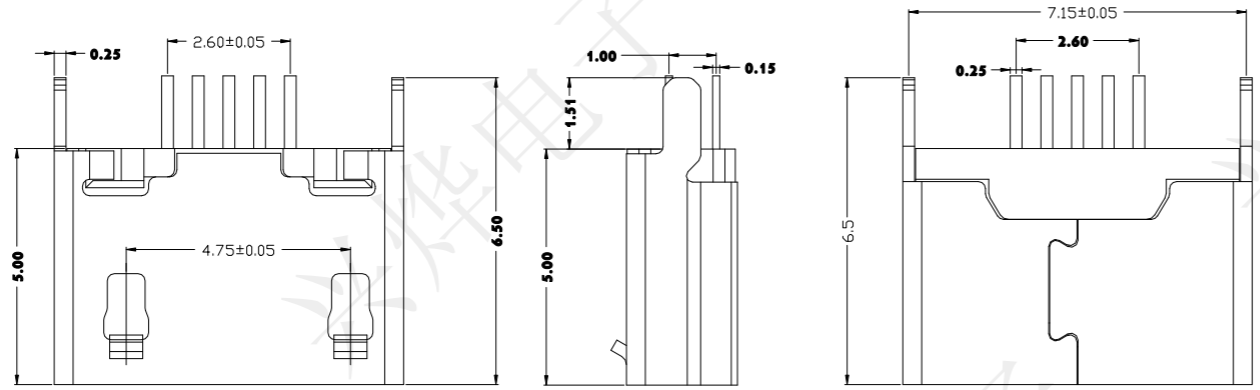
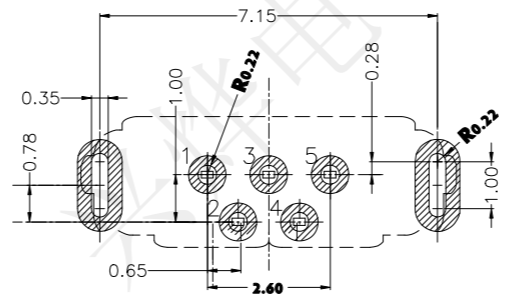
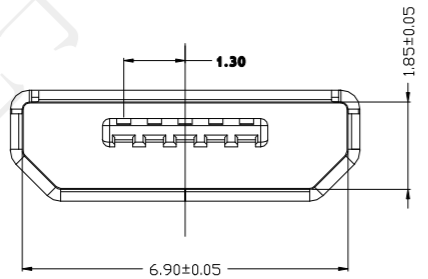


REV.	ECN NO.	DESCRIPTION	DRAW	APPD	DATE
A	---				



受控文件



RECOMMENDED P.C.B LAYOUT

Specification:
 Current rating: 1,5PIN 1.8A Max/2,3,4PIN 1A Max.
 Dielectric withstanding voltage: 100 V(ac) for 1 min.
 Contact resistance: 30 mΩ Max.
 Insulation resistance: 100 MΩ Min.
 Total mating force: 3.57 Kgf Max.
 Total unmating force: 1.0 Kgf Min.
 Temperature range: -30°C~80°C

No.	Pare Name	Number	Material	Remarks
3	Shell	1PCS	copper alloy	
2	Contacts	5PCS	copper alloy	t=0.20mm
1	Housing	1PCS	LCP	UL94v-0

深圳市兴烨电子有限公司
 ShenZhen XingYe Electronics co., Ltd

TOLERANCE		
X.X	±0.30	X.° ±2°
.XX	±0.20	.X° ±1°
.XXX	±0.10	.XX° ±0.5°
UNITS	mm	

Series Name :		
Product Description :	MICRO-5P直插180度雾锡平口	
Part NO:	MKF26236	
SCALE	SHEET	REV.
1:1	1/1	A1

APPD: 陈爱光
 CHED: 施立敏
 DRAW: 马洪飞