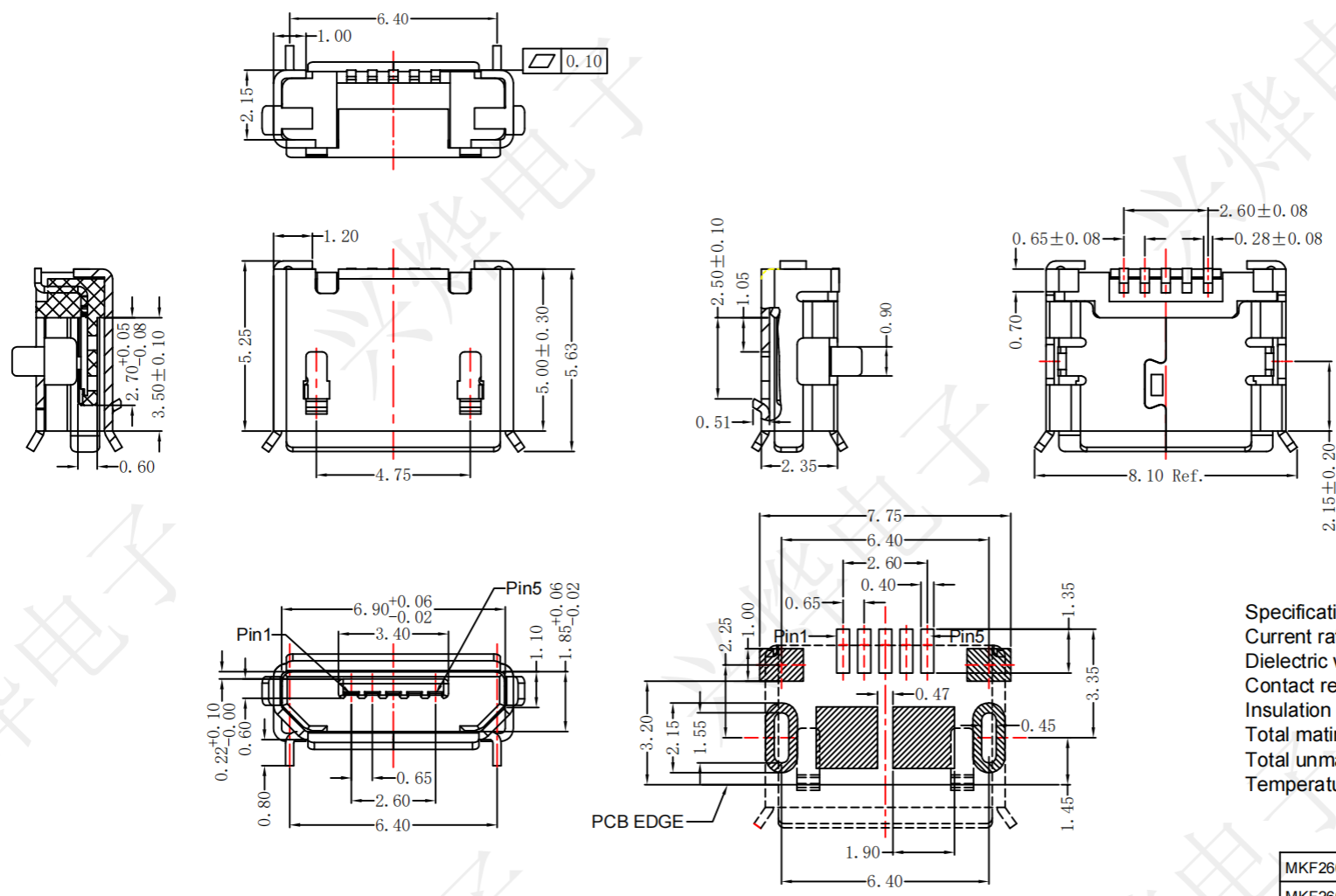


REV.	ECN NO.	DESCRIPTION	DRAW	APPD	DATE
A	---				



受控文件

Specification:  
 Current rating: 1.5PIN 1.8A Max/2,3,4PIN 1A Max.  
 Dielectric withstanding voltage: 100 V(ac) for 1 min.  
 Contact resistance: 30 mΩ Max.  
 Insulation resistance: 100 MΩ Min.  
 Total mating force: 3.57 Kgf Max.  
 Total unmating force: 1.0 Kgf Min.  
 Temperature range: -30°C~80°C

MKF26041	MICRO-5P内插无柱6.4卷边铜雾锡编带
MKF26042	MICRO-5P内插无柱6.4卷边铜镀镍编带
MKF26043	MICRO-5P内插无柱6.4卷边不锈钢雾锡编带
MKF26044	MICRO-5P内插无柱6.4卷边不锈钢镀镍编带

**RECOMMENDED PCB LAYOUT**  
PCB图仅供参考

**深圳市兴烨电子有限公司**  
ShenZhen XingYe Electronics co., Ltd

Series Name :  
MICRO-5P内插无柱6.4卷边编带

Product Description :

No.	Pare Name	Number	Material	Remarks
3	Shell	1PCS	copper alloy/SUS304	t=0.25mm
2	Contacts	5PCS	copper alloy	t=0.20mm
1	Housing	1PCS	LCP	UL94v-0

TOLERANCE					
X.X	±0.30	X.°	±2°	APPD:	陈爱光
.XX	±0.20	.X°	±1°	CHED:	施立敏
.XXX	±0.10	.XX°	±0.5°	DRAW:	马洪飞
UNITS		mm			

Part NO:

	SCALE	SHEET	REV.
	1:1	1/1	A1