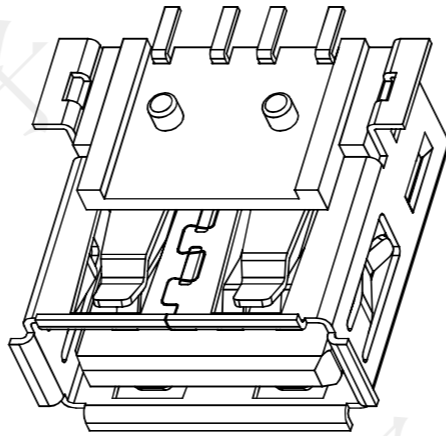
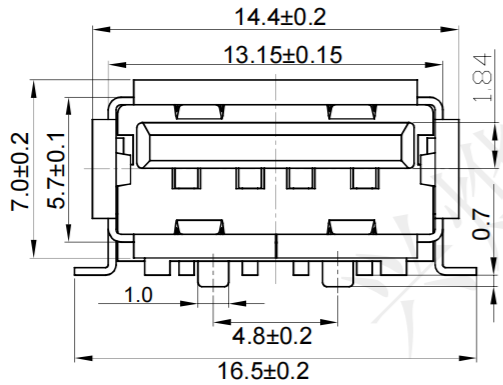
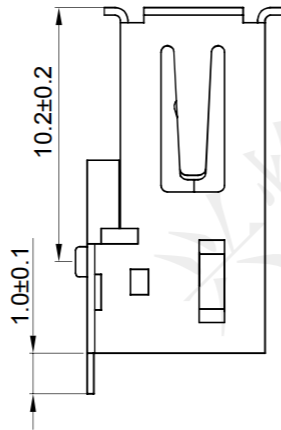
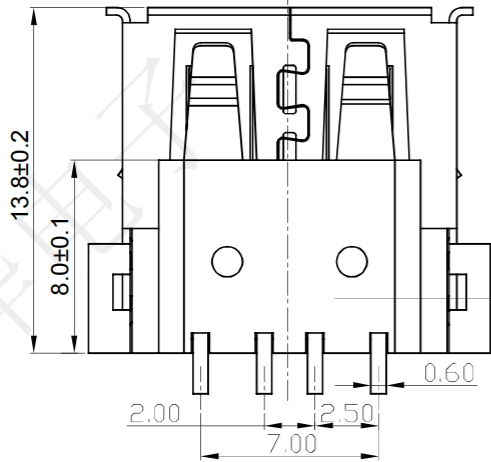
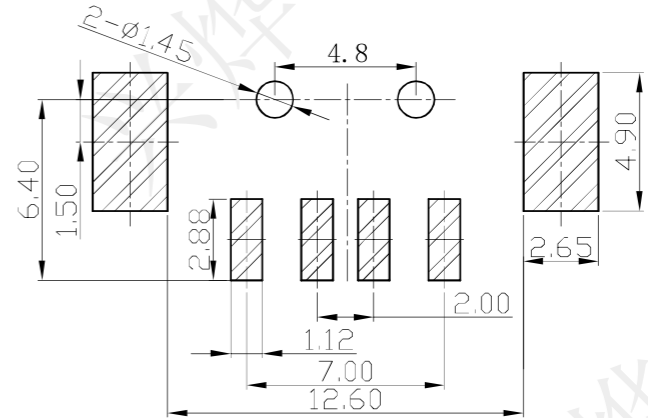


REV.	ECN NO.	DESCRIPTION	DRAW	APPD.	DATE
A	---				



P. C. B LAYOUT (对接尺寸)



受控文件

Specification:
 Current rating:DC 0.3A 30V
 Dielectric withstanding voltage: 500 V(ac) for 1 min.
 Contact resistance: 30 mΩ Max.
 Insulation resistance: 100 MΩ Min.
 Total mating force: 3.57 Kgf Max.
 Total unmating force: 1.0 Kgf Min.
 Temperature range: -30°C~70°C
 Life:5000 Cycles



3	Shell	1PCS	iron alloy	t=0.3mm
2	Contacts	4PCS	copper alloy	t=0.25mm
1	Housing	1PCS	LCP 白色	UL 94-V0
No.	Pare Name	Number	Material	Remarks

深圳市兴烨电子有限公司 ShenZhen XingYe Electronics co., Ltd		Series Name :
TOLERANCE X.X ±0.30 X.° ±2° .XX ±0.20 X° ±1° .XXX ±0.10 .XX° ±0.5° UNITS mm		Product Description : AF全贴带柱1.0白胶卷边铁
APPD: 陈爱光		Part NO: USBT48031
CHED: 施立敏		SCALE 1:1
DRAW: 马洪飞		SHEET 1/1
		REV. A1

SCALE	SHEET	REV.
1:1	1/1	A1