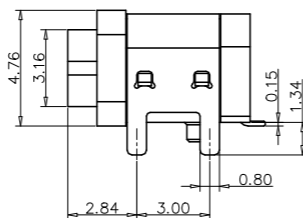
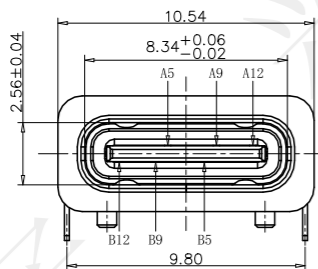
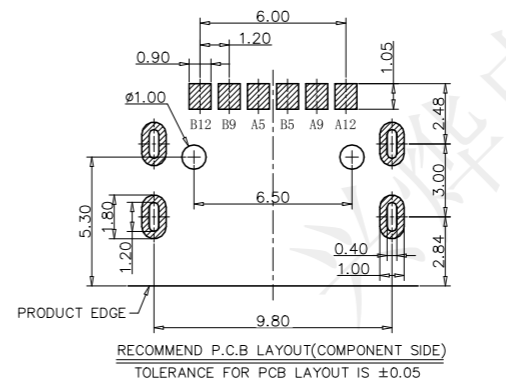


REV.	ECN NO.	DESCRIPTION	DRAW	APPD.	DATE
A	---				



受控文件

备注 (NOTE):

1. 电气特性:
 - 1.1. 接触区: 接触电阻40mΩ Max, 允许10mΩ变化量. 测试条件: 20mv, 100mA下测量.
 - 1.2. 接触电流: 3A VBUS引脚; 1.25A用于GND引脚; 其他引脚为0.25A.
 - 1.3. 额定电压: 5V.
 - 1.4. 耐电压: 100VAC.
 - 1.5. 绝缘电阻: 至少100兆欧.
2. 机械性能:
 - 3.1. 插入力: 0.5-2.0Kg
 - 3.2. 拔出力: 0.6-2.04Kg
 - 3.3. 插拔次数: 10000次.
 4. 可焊性: 温度210-230℃, 时间10秒.
 5. 工作环境: -20℃ to +85℃.

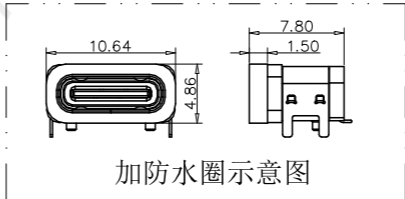
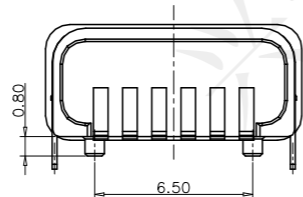
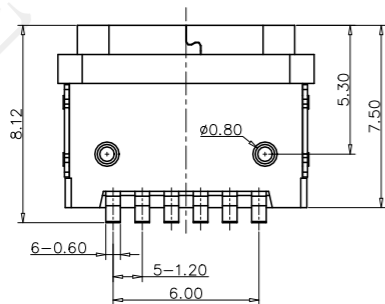


TABLE:

NO	PART	Q'TY	Material
1	SHELL	1	STAINLESS STEEL, NI PLATED
2	CONTACT	6	COPPER STEEL, TIN/Au/Ni PLATED
3	1MD HOUSING	1	HIGH TEMPERATURE RESISTANT PLASTIC BLACK UL94 V-0
4	2MD HOUSING	1	HIGH TEMPERATURE RESISTANT PLASTIC BLACK UL94 V-0

PIN ASSIGNMENTS

A5	CC1	B12	GND
A9	VBUS	B9	VBUS
A12	GND	B5	CC1
PIN	SIGNAL NAME	PIN	SIGNAL NAME



TOLERANCE			
X.X	±0.30	X.°	±2°
.XX	±0.20	.X°	±1°
.XXX	±0.10	.XX°	±0.5°
UNITS	mm	APPD: 陈爱光	
		CHED: 施立敏	
		DRAW: 马洪飞	

Series Name :			
Product Name :			
TYPE-CF-6P板上SMT四脚插L7.5 防水IPX7			
Part NO:		UCM27609	
	SCALE	SHEET	REV.
	1:1	1/1	A1