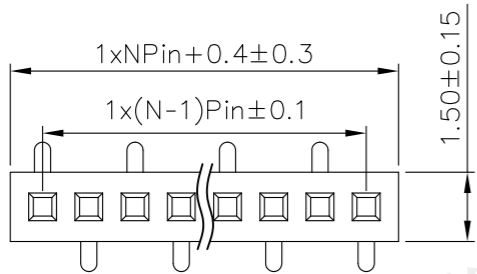
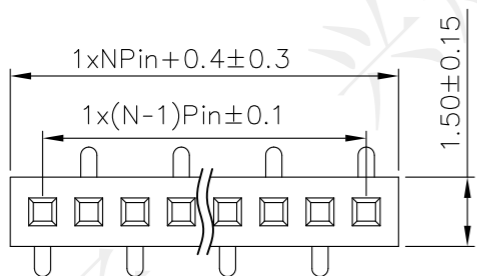


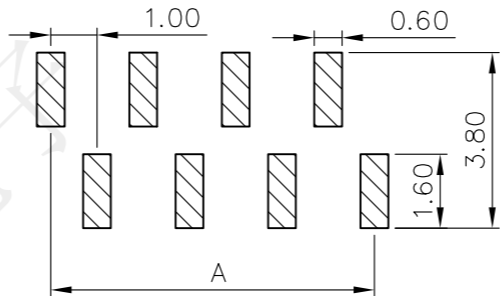
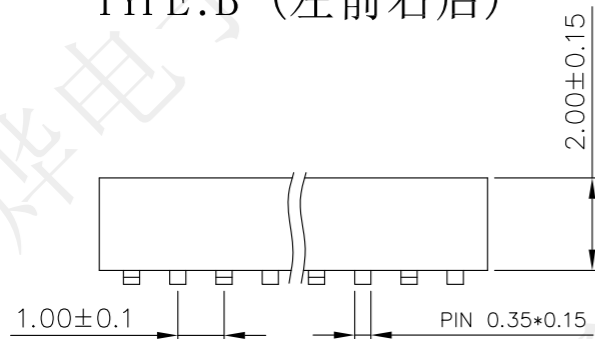
REV.	ECN NO.	DESCRIPTION	DRAW	APPD.	DATE
A	---				



TYPE:A (右前左后)

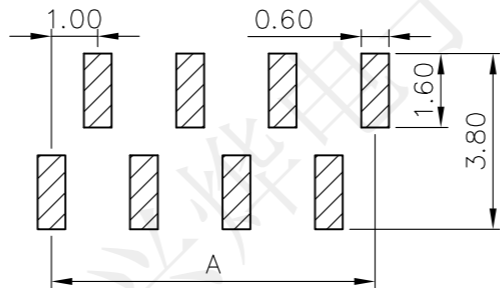


TYPE:B (左前右后)



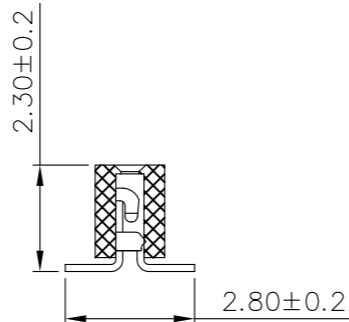
RECOMMEND P. C. B LAYOUT
PCB TOLERANCE: ±0.05 (TOP VIEW)

TYPE:A (右前左后)



RECOMMEND P. C. B LAYOUT
PCB TOLERANCE: ±0.05 (TOP VIEW)

TYPE:B (左前右后)



SPECIFICATIONS

Current Rating: 0.75 Amps
 Withstanding Voltage: AC 500V
 Insulation Resistance: 1000MΩ Min
 Contact Resistance: 20mΩ Max
 Operation Temperature: -40° to +105°
 Insulator Material: Polyester (UL94V-0)
 Contact Material: Phosphor bronze
 Standard: PA6T
 Contact Plating: Gold Flash
 Max. Processing Temp: 240° C for 30-60 seconds
 (260° C for 5 seconds)

受控文件

of	DIM. A	DIM. B	No. of	DIM. A	DIM. B	No. of	DIM. A	DIM. B	No. of	DIM. A	DIM. B
1	0.00	1.00	11	10.00	11.00	21	20.00	21.00	31	30.00	31.00
2	1.00	2.00	12	11.00	12.00	22	21.00	22.00	32	31.00	32.00
3	2.00	3.00	13	12.00	13.00	23	22.00	23.00	33	32.00	33.00
4	3.00	4.00	14	13.00	14.00	24	23.00	24.00	34	33.00	34.00
5	4.00	5.00	15	14.00	15.00	25	24.00	25.00	35	34.00	35.00
6	5.00	6.00	16	15.00	16.00	26	25.00	26.00	36	35.00	36.00
7	6.00	7.00	17	16.00	17.00	27	26.00	27.00	37	36.00	37.00
8	7.00	8.00	18	17.00	18.00	28	27.00	28.00	38	37.00	38.00
9	8.00	9.00	19	18.00	19.00	29	28.00	29.00	39	38.00	39.00
10	9.00	10.00	20	19.00	20.00	30	29.00	30.00	40	39.00	40.00



深圳市兴烨电子有限公司
 Shenzhen XingYe Electronics co., Ltd

Series Name : FH1.0*2.0-1*mp-PC2.8-PB2.3-PW1.5-U型SMT(左前与右前)

Product Name :

Part NO:

TOLERANCE		APPD: 陈爱光	SCALE	SHEET	REV.
X.X ±0.30	X.° ±2°	CHED: 施立敏	1:1	1/1	A1
.XX ±0.20	.X° ±1°				
.XXX ±0.10	.XX° ±0.5°	DRAW: 马洪飞			
UNITS	mm				