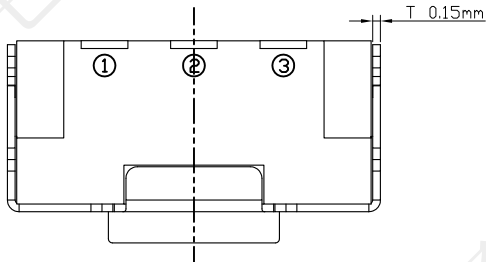
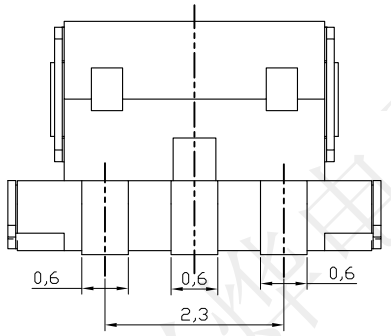
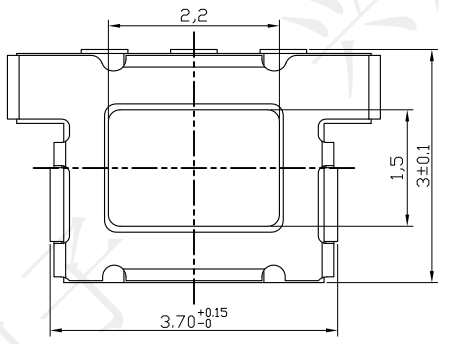
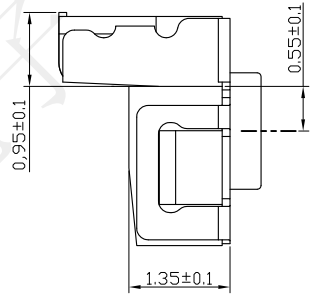
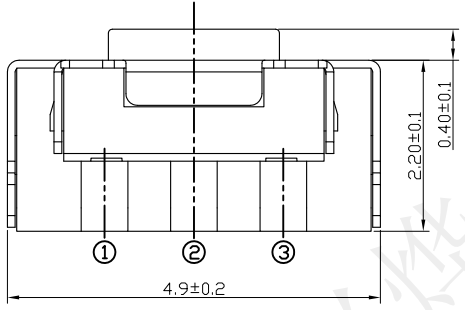
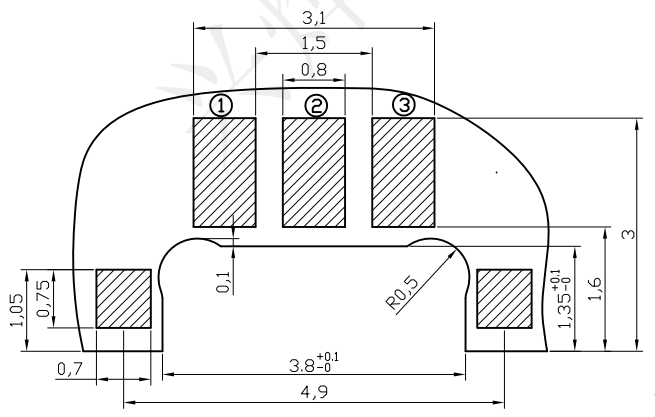


REV.	ECN NO.	DESCRIPTION	DRAW	APPD.	DATE
A	---				



### P. C. B MOUNTING PATTERN DIMENSION

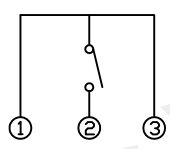
the following soldering are recommended for reflow soldering



#### SPECIFICATION:

Operating temperature: -40 °C ~ 85 °C  
 Rated loading: DC 12V 50mA  
 Contact resistance: 100mΩ Max  
 Insulation resistance: 100MΩ Min  
 Withstanding voltage: AC 250V (50Hz) /min  
 Operating force: 160 ± 50gf  
 260 ± 50gf  
 Electrical Life: 100000 cycles

#### CIRCUIT DIAGRAM



受控文件

6	盖子	1	磷铜	镀银
5	手柄	1	LCP	黑色
4	薄膜	1	聚酰亚胺	黄色
3	簧片	2	不锈钢覆银	覆银
2	底座	1	LCP	黑色
	端子	2	磷铜	镀银
NO	名称	数量	材质	颜色

**深圳市兴烨电子有限公司**  
 ShenZhen XingYe Electronics co., Ltd

TOLERANCE		APPD: 陈爱光 CHED: 施立敏 DRAW: 马洪飞
XX ±0.30	X° ±2°	
.XX ±0.20	X° ±1°	
.XXX ±0.10	XX° ±0.5°	
UNITS	mm	

Series Name :

Product Description :  
3\*4沉板无牙160G编带

Part NO: TSH22183

SCALE 1:1	SHEET 1/1	REV. A1
--------------	--------------	------------