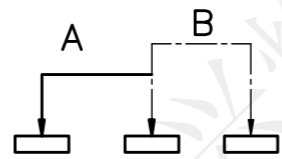
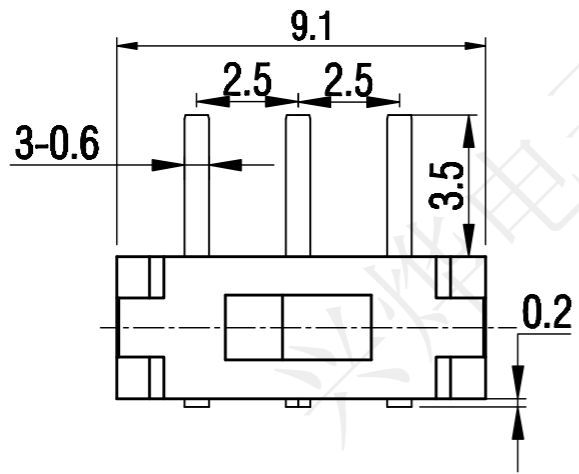
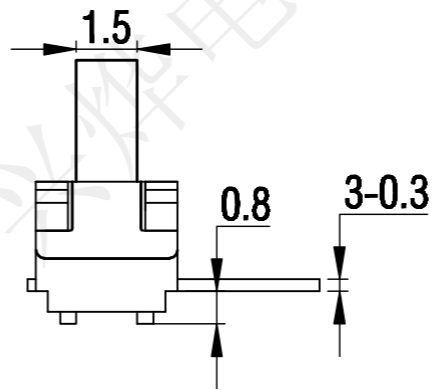
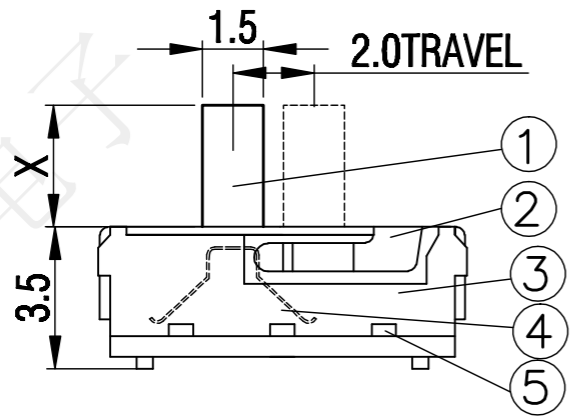


REV.	ECN NO.	DESCRIPTION	DRAW	APPD	DATE



CIRCUIT



受控文件

SPECIFICATION:
 Operating temperature: -16 °C~60 °C
 Rated loading: DC 12V 0.1A
 Contact resistance: 80mΩ Max
 Insulation resistance: 100MΩ Min
 Withstanding voltage: AC 500V (50-60Hz) /min
 Operation Force: 200gf+50gf
 Electrical Life: 10,000 cycles

5	TERMINAL a,b&c	C2680	3	Ag
2	CONTACT	C5210	2	Ag
3	BOTTOM	PA46	1	BLACK
2	COVER	SUS	1	NATURAL
1	STEM	PA66	1	BLACK
NO.	PARTS	MATERIAL	QTY.	FINISHING

深圳市兴烨电子有限公司
 ShenZhen Xing Ye Electronics co., Ltd

TOLERANCE		APPD: 陈爱光 CHED: 施立敏 DRAW: 马洪飞
X.X ±0.30	X° ±2°	
.XX ±0.20	.X° ±1°	
.XXX ±0.10	.XX° ±0.5°	
UNITS	mm	

Series Name :		
Product Name : MSS-22D19单边三脚		
Part NO: SKL20016		
SCALE	SHEET	REV.
1:1	1/1	A1