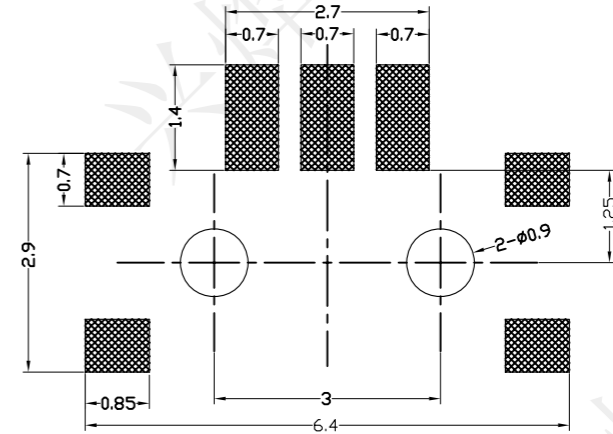


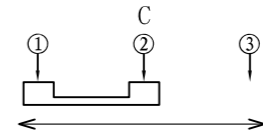
REV.	ECN NO.	DESCRIPTION	DRAW	APPD.	DATE
A	---				

### P. C. B MOUNTING PATTERN DIMENSION

the following soldering are recommended for reflow soldering

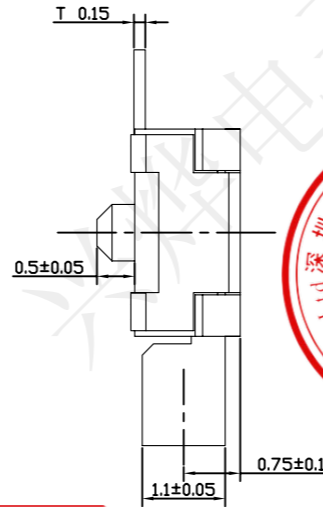
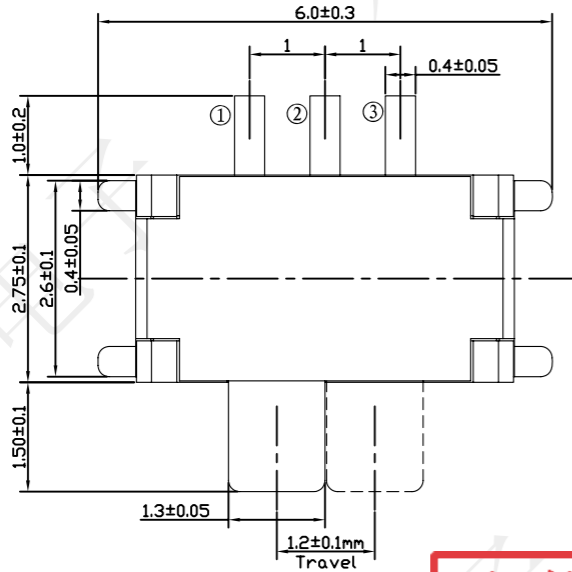
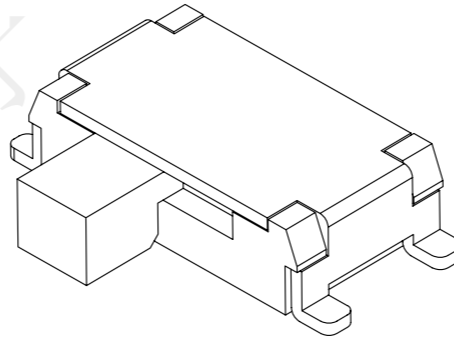
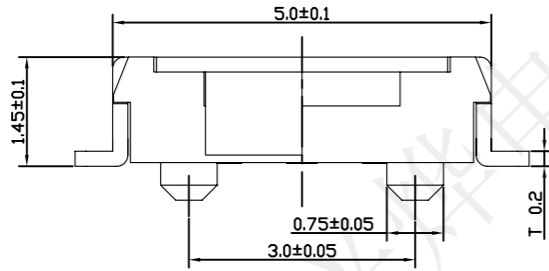


### CIRCUIT DIAGRAM



### 技术参数

NO	项 目	参 数
1	额定电流	50mA 12V DC
2	接触电阻	≤100mΩ
3	按 力	160±50gf
4	行 程	1.2±0.1mm
5	绝缘电阻	>100MΩ
6	抗电强度	AC 250V 50Hz 1Min
7	寿 命	10,000 cyc



**受控文件**

NO.	Pare Name	Number	Material	Remarks
4	脚	7PCS	黄铜	
3	弹片	1PCS	磷铜	
2	柄	1PCS	PA46	
1	基座	1PCS	LCP	Black

**深圳市兴烨电子有限公司**  
Shenzhen XingYe Electronics co., Ltd

TOLERANCE	
X.X ±0.30	X.' ± 2'
.XX ±0.20	.X' ± 1'
.XXX ±0.10	.XX' ±0.5'
UNITS	mm

APPD: 陈爱光  
CHED: 施立敏  
DRAW: 马洪飞

Series Name :			
Product Prescription :	MSK-01小七脚贴片拨动		
Part NO:	SKL20017		
SCALE	SHEET	REV.	
1:1	1/1	A1	