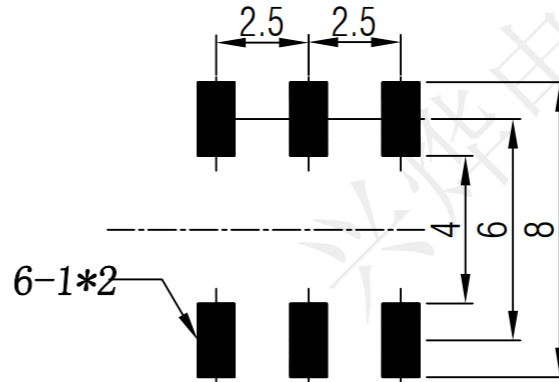
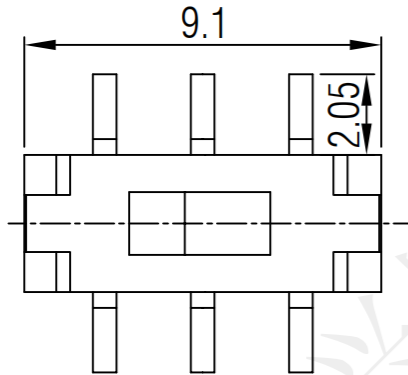


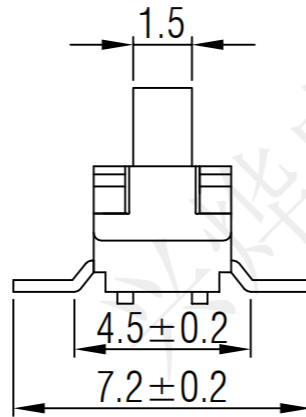
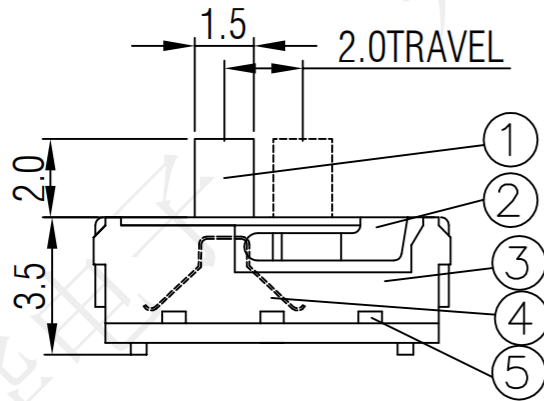
受控文件



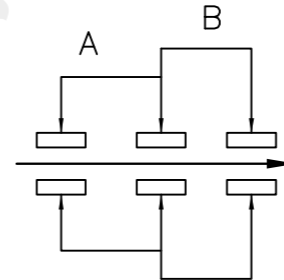
REV.	ECN NO.	DESCRIPTION	DRAW	APPD	DATE



P.C.B LAYOUT DIMENSION



TOP VIEW



CIRCUIT

SPECIFICATION:

Operating temperature: -16 °C~60°C
 Rated loading: DC 50V 0.5A
 Contact resistance: 30mΩ Max
 Insulation resistance: 100MΩ Min
 Withstanding voltage: AC 500V (50-60Hz) /min
 Electrical Life: 5000 cycles

5	CONTACT	C5210	2	Ag
2	TERMINAL a,b&c	C2680	6	Ag
3	BOTTOM	PA46	1	BLACK
2	COVER	SUS	1	NATURAL
1	STEM	PA46	1	BLACK
NO.	PARTS	MATERIAL	QTY.	FINISHING

深圳市兴烨电子有限公司
 ShenZhen Xing Ye Electronics co., Ltd

TOLERANCE	
X.X ±0.30	X° ±2°
.XX ±0.20	.X° ±1°
.XXX ±0.10	.XX° ±0.5°
UNITS	mm

APPD: 陈爱光
 CHED: 施立敏
 DRAW: 马洪飞

Series Name :		
Product Name : MSS-22D18A-H2.0六脚 立贴		
Part NO: TSL12078		
	SCALE	SHEET
	1:1	1/1
		REV.
		A1