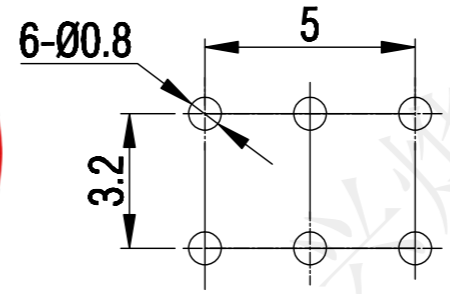
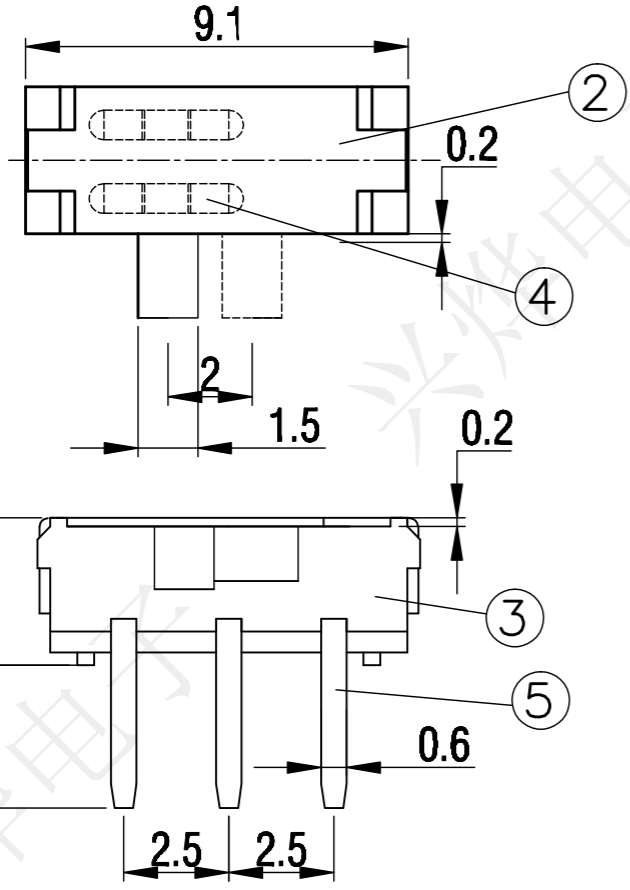
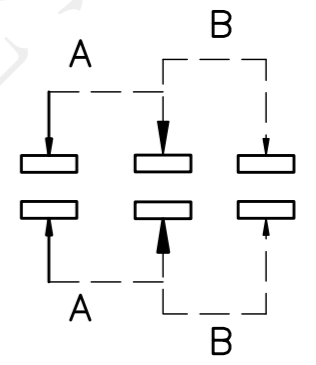


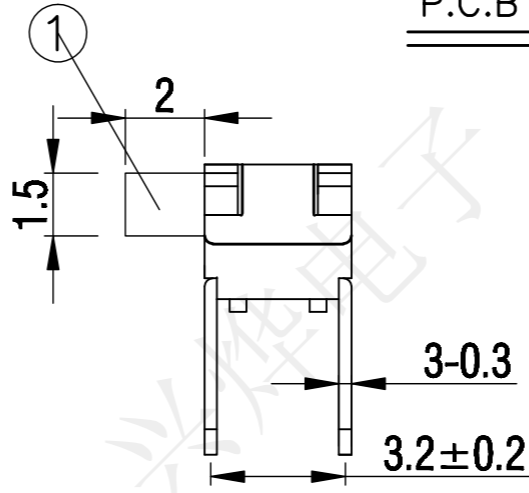
REV.	ECN NO.	DESCRIPTION	DRAW	APPD	DATE



P.C.B LAYOUT DIMENSION
TOP VIEW



CIRCUIT



SPECIFICATION:
 Operating temperature:-20 °C~85°C
 Rated loading:DC 12V 0.1A
 Contact resistance:80mΩ Max
 Insulation resistance:100MΩ Min
 Withstanding voltage:AC 500V (50-60Hz) /min
 Operation Force:200gf+50gf
 Electrical Life:10,000 qy cles

受控文件

5	TERMINAL a,b&c	C2680	6	Ag
4	CONTACT	C5210	2	Ag
3	BOTTOM	PA66	1	BLACK
2	COVER	SUS	1	NATURAL
1	STEM	PA66	1	BLACK
NO.	PARTS	MATERIAL	QTY.	FINISHING

深圳市兴烨电子有限公司
ShenZhen Xing Ye Electronics co., Ltd

TOLERANCE		APPD: 陈爱光 CHED: 施立敏 DRAW: 马洪飞
X.X ±0.30	X° ±2°	
.XX ±0.20	.X° ±1°	
.XXX ±0.10	.XX° ±0.5°	
UNITS	mm	

Series Name :		
Product Name : MSK-22D18 H2.0六脚卧式		
Part NO: SKL10006		
⊙	SCALE 1:1	SHEET 1/1
		REV. A1