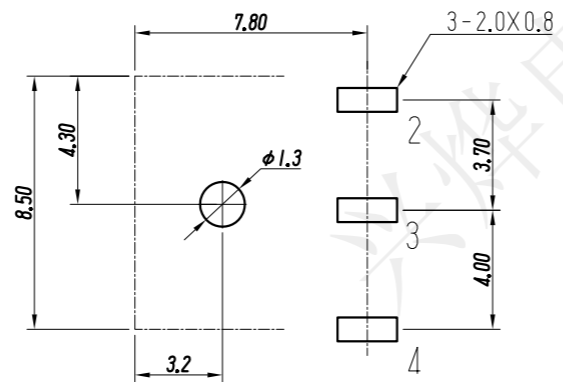
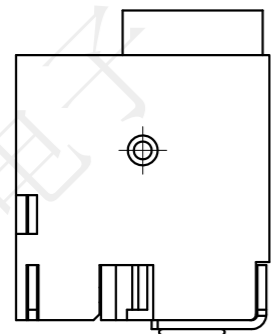
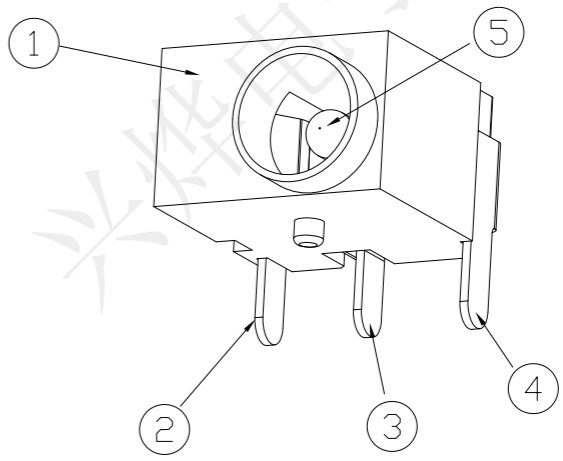
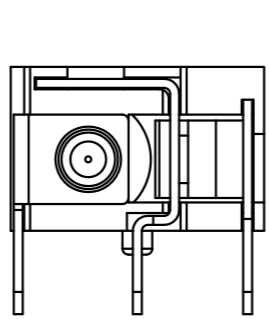
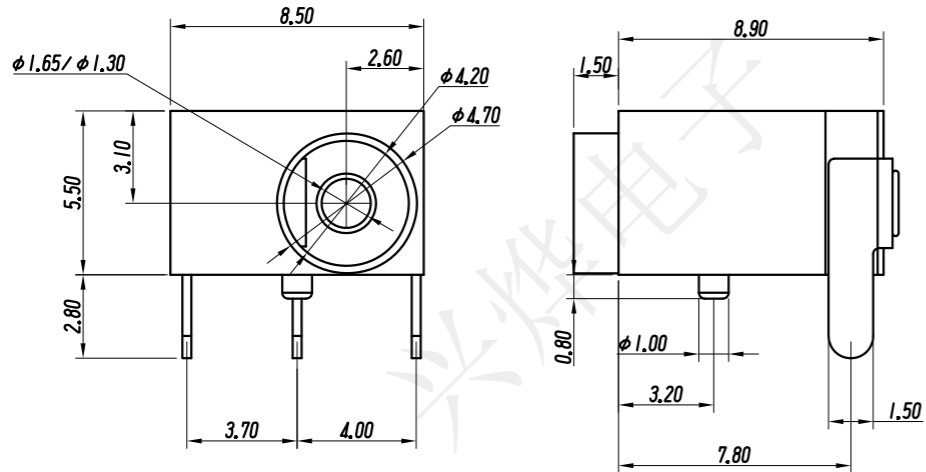


REV.	ECN NO.	DESCRIPTION	DRAW	APPD.	DATE
A	---				



PCB LAYOUT
TOP VIEW (TOLERANCE: ±0.05)

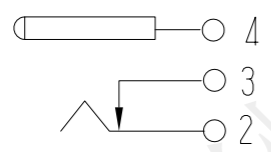


SPECIFICATION:
 Operating temperature: -30°C~70°C
 Rated loading: DC 30V 0.5A
 Contact resistance: 20mΩ Max
 Insulation resistance: 100MΩ Min
 Withstanding voltage: AC 250V (50Hz) /min
 Insertion force: 3-15N
 Pullout force: 3-15N
 Life: 5000 CYCLES

序号	名称	数量	材料	备注
5	插针PIN	1	H59黄铜棒(Y)	D. Cu/Sn
4	平片	1	H62黄铜带(Y) δ=0.3mm	D. Cu/Sn
3	弯片	1	H62黄铜带(Y) δ=0.3mm	D. Cu/Sn
2	簧片	1	Mn锰钢带(Y) δ=0.2mm	D. Sn/Sb
1	底座	1	PBT工程塑料	黑

受控文件

SCHEMATIC



深圳市兴烨电子有限公司
Shenzhen XingYe Electronics co., Ltd

TOLERANCE		APPD: 陈爱光
X.X ±0.30	X.* ± 2*	CHEd: 施立敏
.XX ±0.20	.X* ± 1*	DRAW: 马洪飞
.XXX ±0.10	.XX* ±0.5*	
UNITS	mm	

Series Name :		
Product Name : DC-006三脚直插带柱 针1.65/1.3		
Part NO: DCL19065		
SCALE	SHEET	REV.
1:1	1/1	A1