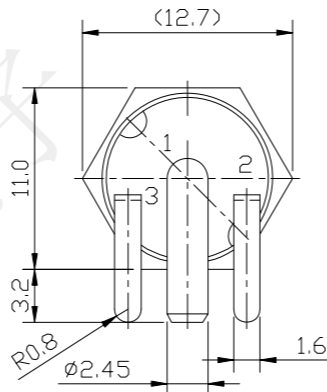
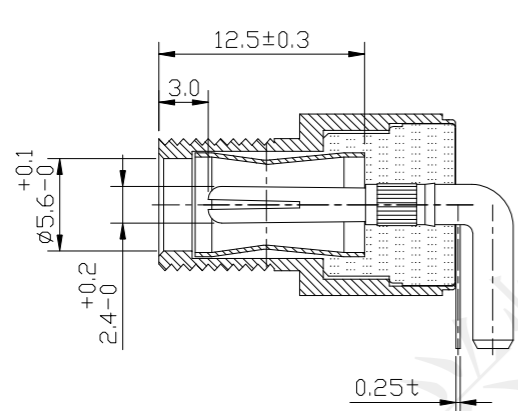
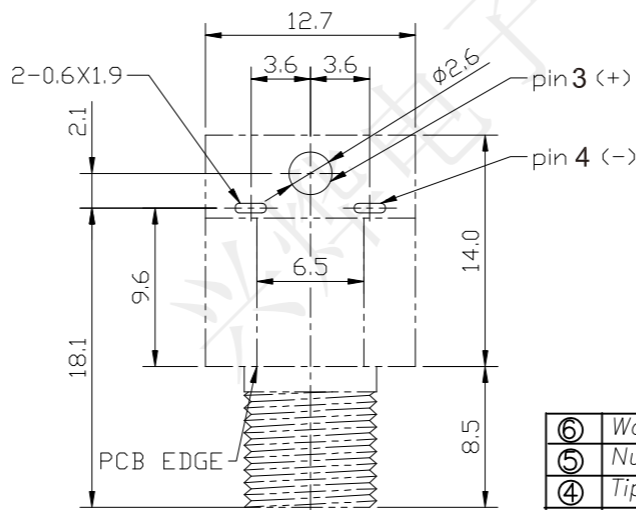
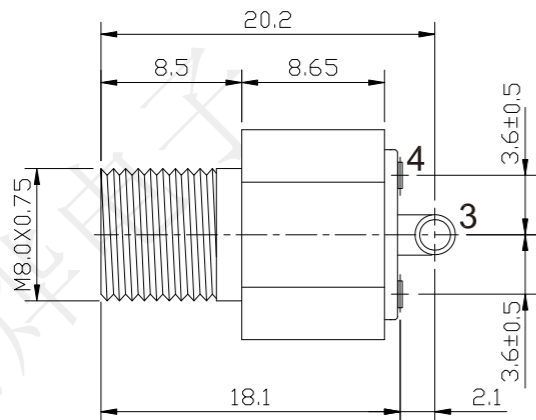
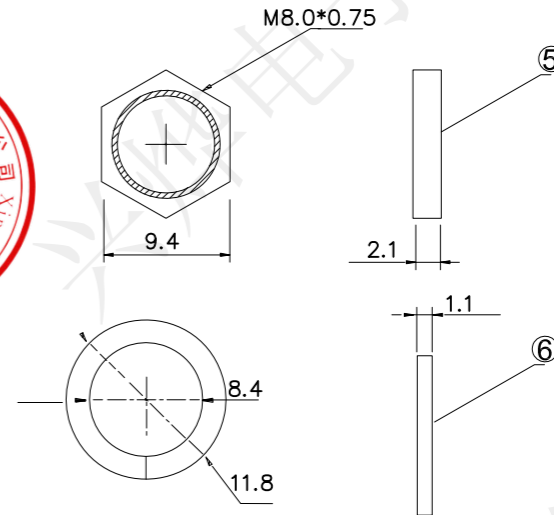


REV.	ECN NO.	DESCRIPTION	DRAW	APPD.	DATE
A	---				



REAR VIEW

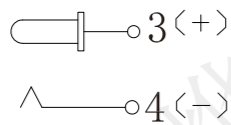


TOP VIEW

PCB LAYOUT

SPECIFICATION:
 Operating temperature: -40°C~55°C
 Rated loading: DC 30V 10A
 Contact resistance: 30mΩ Max
 Insulation resistance: 100MΩ Min
 Withstanding voltage: AC 500V (50Hz) /min
 Insertion force: 3-20N
 Pullout force: 3-20N
 Life: 5000 CYCLES

NO.	DESCRIPTION	QTY	MATERIAL	PLATING
⑥	Washer	1	Spring steel	Sn-Plating
⑤	Nut	1	H59 BRASS	Ag-Plating
④	Tip spring	1	Bronze C5191 t=0.2	Ag-Plating
③	PIN	1	H59 BRASS	Ag-Plating
②	Housing	1	PBT	Black
①	Bushing	1	H59 BRASS	



受控文件

		Series Name :	
		Product Name : DC-199A三脚插 针2.6过10A	
TOLERANCE X.X ±0.30 X.* ± 2* .XX ±0.20 .X* ± 1* .XXX ±0.10 .XX* ±0.5* UNITS mm		Part NO: DCJ19066	
		APPD: 陈爱光 CHED: 施立敏 DRAW: 马洪飞	SCALE 1:1 SHEET 1/1 REV. A1