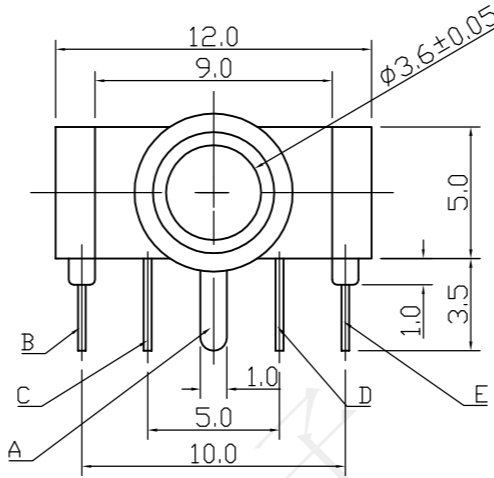
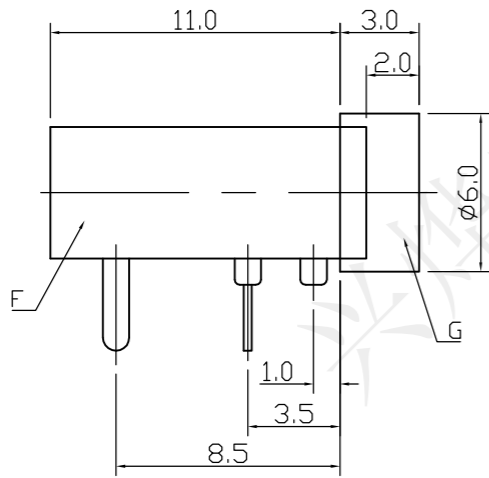
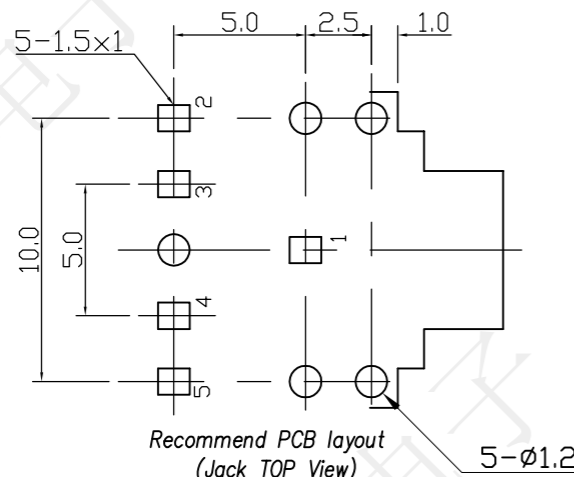


REV.	ECN NO.	DESCRIPTION	DRAW	APPD.	DATE
A	---				

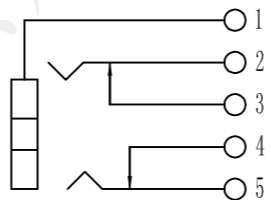


受控文件

SPECIFICATION:
 Operating temperature: -20°C~70°C
 Rated loading: DC 30V 1A
 Contact resistance: 30mΩ Max
 Insulation resistance: 100MΩ Min
 Withstanding voltage: AC 500V (50Hz) /min
 Insertion force: 3-20N
 Pullout force: 3-20N
 Life: 5000 CYCLES



Recommend PCB layout
 (Jack TOP View)
 Tolerances: ±0.05
 Recommend PCB Thickness: 1.6mm



6	插针5	1	猛刚
5	插针4	1	黄铜
4	插针3	1	黄铜
3	插针2	1	猛刚
2	插针1	1	黄铜
1	基座	1	尼龙
序号	外观部件名称	数量	材料

		Series Name :	
		Product Description : PJ-307-5P铜套	
TOLERANCE		Part NO: PJB11010	
X.X ±0.30	X.° ±2°	APPD: 陈爱光	SCALE SHEET REV. 1:1 1/1 A1
.XX ±0.20	.X° ±1°	CHEd: 施立敏	
.XXX ±0.10	.XX° ±0.5°	DRAW: 马洪飞	
UNITS	mm		