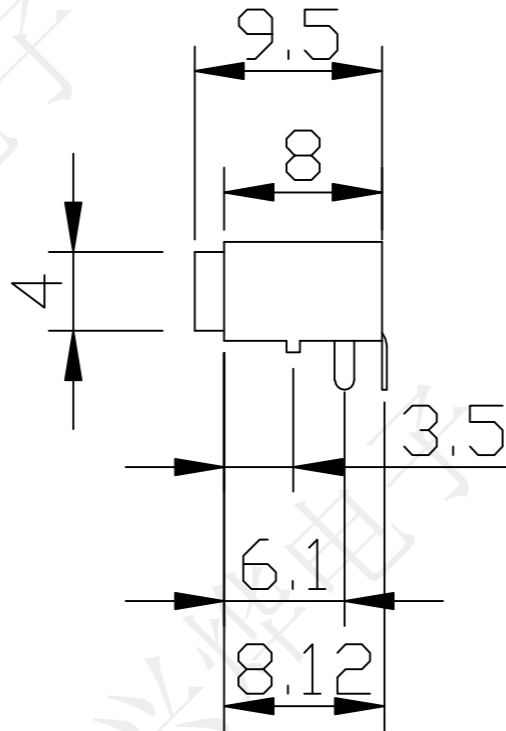
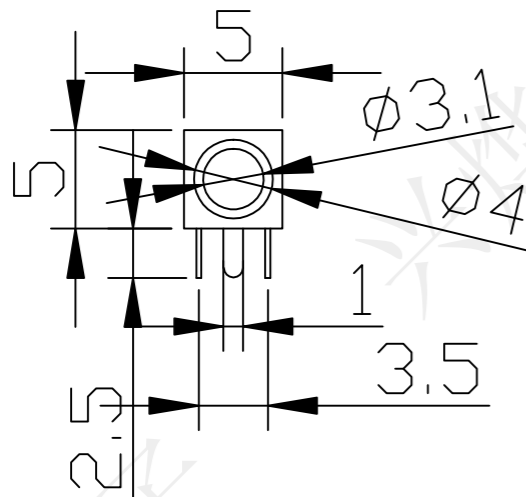


REV.	ECN NO.	DESCRIPTION	DRAW	APPD.	DATE
A	---				

受控文件



SPECIFICATION:

Operating temperature: -30 °C~70 °C
 Rated loading: DC 30V 0.5A
 Contact resistance: 30mΩ Max
 Insulation resistance: 100MΩ Min
 Withstanding voltage: AC 500V (50Hz) /min
 Insertion force: 3-20N
 Pullout force: 3-20N
 Life: 5000 CYCLES



③	弹片脚	1PCS	锰钢	电镀: 银
②	中脚	3PCS	黄铜	电镀: 银
①	底座	1PCS	PA66	黑色
序列号	名称	数量	材料	备注

		Series Name :	
		Product Name : PJ-210无轴三脚插	
TOLERANCE		Part NO: PJY22042	
X.X ±0.30	X.° ±2°	APPD: 陈爱光	
.XX ±0.20	.X° ±1°	CHEd: 施立敏	
.XXX ±0.10	.XX° ±0.5°	DRAW: 马洪飞	SCALE
UNITS	mm		1:1
			SHEET
			1/1
			REV.
			A1