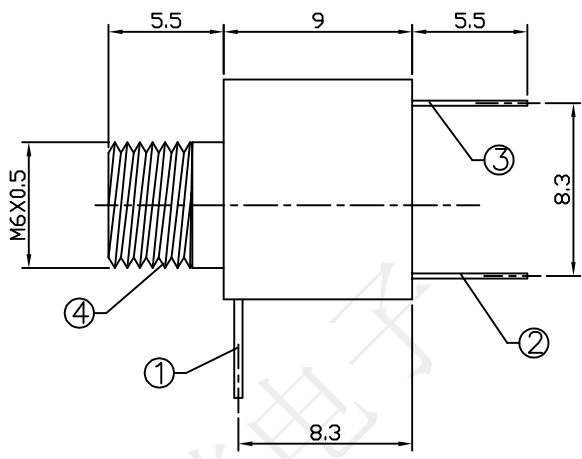
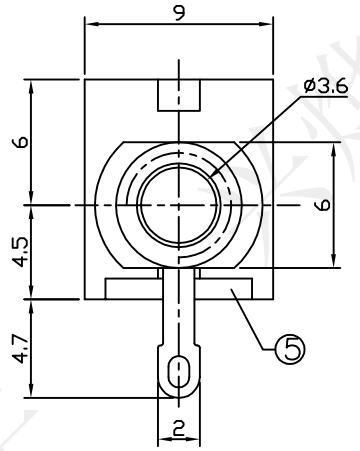
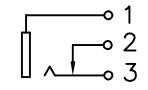


REV	ECN NO.	DESCRIPTION	DRAW	APPD.	DATE
	---				

受控文件



SCHMATIC



**SPECIFICATION:**  
 Operating temperature: -30°C ~ -70°C  
 Rated loading: DC 30V 0.5A  
 Contact resistance: 30mΩ Max  
 Insulation resistance: 100MΩ Min  
 Withstanding voltage: AC 500V (50Hz) /min  
 Insertion force: 3-25N  
 Pullout force: 3-25N  
 Life: 5000 CYCLES

NO.	DESCRIPTION	QTY	MATERIAL	PLATING
5	HOUSING	1	ABS	
4	AXIS SUPPORT	1	H62 BRASS	Ni-Plating
3	SPRING PIECE	1	PHOSPHOR BRONZE	Cu-Sn-Plating
2	CURVE PIECE	1	H62 BRASS	Sn-Sb-Plating
1	FLAT PIECE	1	H62 BRASS	Cu-Sn-Plating

**深圳市兴烨电子有限公司**  
 ShenZhen XingYe Electronics co., Ltd

TOLERANCE		APPD: 陈爱光
X.X ±0.30	X.* ± 2*	
.XX ±0.20	.X* ± 1*	CHED: 施立敏
.XXX ±0.10	.XX* ±0.5*	
UNITS	mm	DRAW: 马洪飞

Series Name :			
Product Description : PJ-301M双声道			
Part NO: PJL11024			
	SCALE	SHEET	REV.
	1:1	1/1	A1