

REV.	ECN NO.	DESCRIPTION	DRAW	APPD.	DATE
A	---				

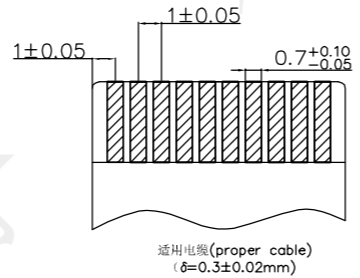
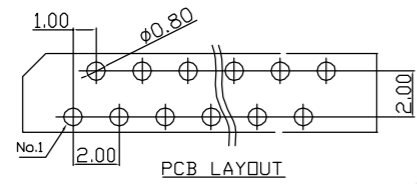
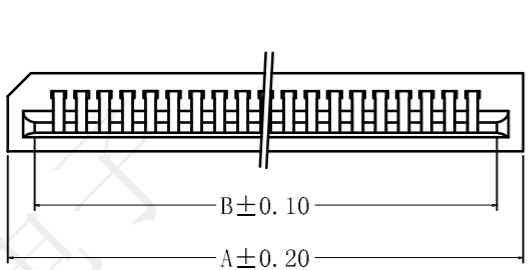
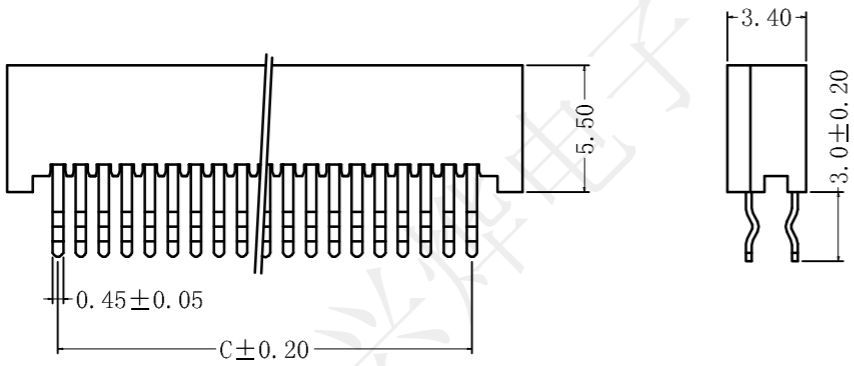
技术参数 **SPECIFICATIONS**

间距 (Pitch) : 1.0
 极数 (Poles) : 3~40
 额定电压 (Voltage rating): 50V DC/AC
 额定电流 (Current rating) : 0.5A DC/AC
 耐压值 (Withstand Voltage) : 500VAC/m
 工作温度 (Working Temperature) :
 -25℃ ~ +85℃
 绝缘电阻 (Insulation Resistance) : $\geq 500M\Omega$
 接触电阻 (Contact resistance) : $\leq 30m\Omega$

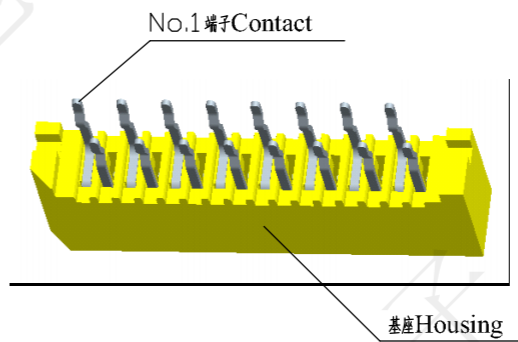


材料 **Material**

接触件 (Contact) : 磷青铜 镀锡 $t=0.22mm$ Phosphor Bronze Tin-plated
 塑胶主体 (Housing) : 耐热树脂 PA66 (UL94V-0) Heat resistance plastic (UL94V-0)



受控文件



CKTS	料号	尺寸		
		A	B	C
3	FCL24296	6.50	4.10	2.00
4	FCL24297	7.50	5.10	3.00
5	FCL24298	8.50	6.10	4.00
6	FCL24299	9.50	7.10	5.00
7	FCL24300	10.50	8.10	6.00
8	FCL24301	11.50	9.10	7.00
9	FCL24302	12.50	10.10	8.00
10	FCL24303	13.50	11.10	9.00
11	FCL24304	14.50	12.10	10.00
12	FCL24305	15.50	13.10	11.00
13	FCL24306	16.50	14.10	12.00
14	FCL24307	17.50	15.10	13.00
15	FCL24308	18.50	16.10	14.00
16	FCL24309	19.50	17.10	15.00
17	FCL24310	20.50	18.10	16.00
18	FCL24311	21.50	19.10	17.00
19	FCL24312	22.50	20.10	18.00
20	FCL24313	23.50	21.10	19.00
21	FCL24314	24.50	22.10	20.00
22	FCL24315	25.50	23.10	21.00
23	FCL24316	26.50	24.10	22.00
24	FCL24317	27.50	25.10	23.00
25	FCL24318	28.50	26.10	24.00
26	FCL24319	29.50	27.10	25.00
27	FCL24320	30.50	28.10	26.00
28	FCL24321	31.50	29.10	27.00
29	FCL24322	32.50	30.10	28.00
30	FCL24323	33.50	31.10	29.00
31	FCL24324	34.50	32.10	30.00
32	FCL24325	35.50	33.10	31.00
33	FCL24326	36.50	34.10	32.00
34	FCL24327	37.50	35.10	33.00
35	FCL24328	38.50	36.10	34.00
36	FCL24329	39.50	37.10	35.00
37	FCL24330	40.50	38.10	36.00
38	FCL24331	41.50	39.10	37.00
39	FCL24332	42.50	40.10	38.00
40	FCL24333	43.50	41.10	39.00

深圳市兴烨电子有限公司
 Shenzhen XingYe Electronics co., Ltd

TOLERANCE		
X.X ±0.30	X.° ±2°	APPD: 陈爱光
.XX ±0.20	.X° ±1°	CHED: 施立敏
.XXX ±0.10	.XX° ±0.5°	DRAW: 马洪飞
UNITS	mm	

Series Name :
1.0-1-nP立式插件

Product Name :

Part NO:

SCALE	SHEET	REV.
1:1	1/1	A1