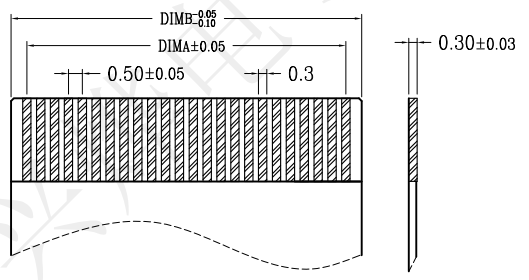
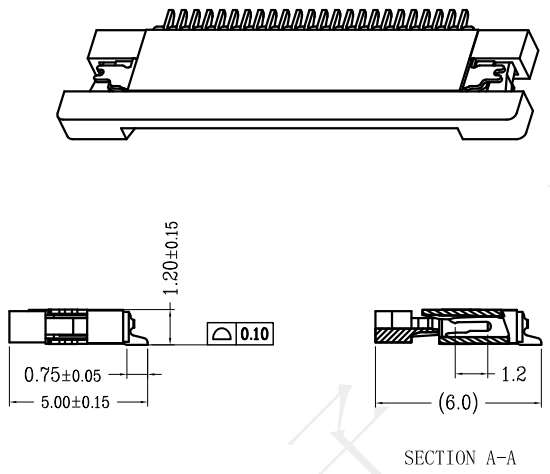
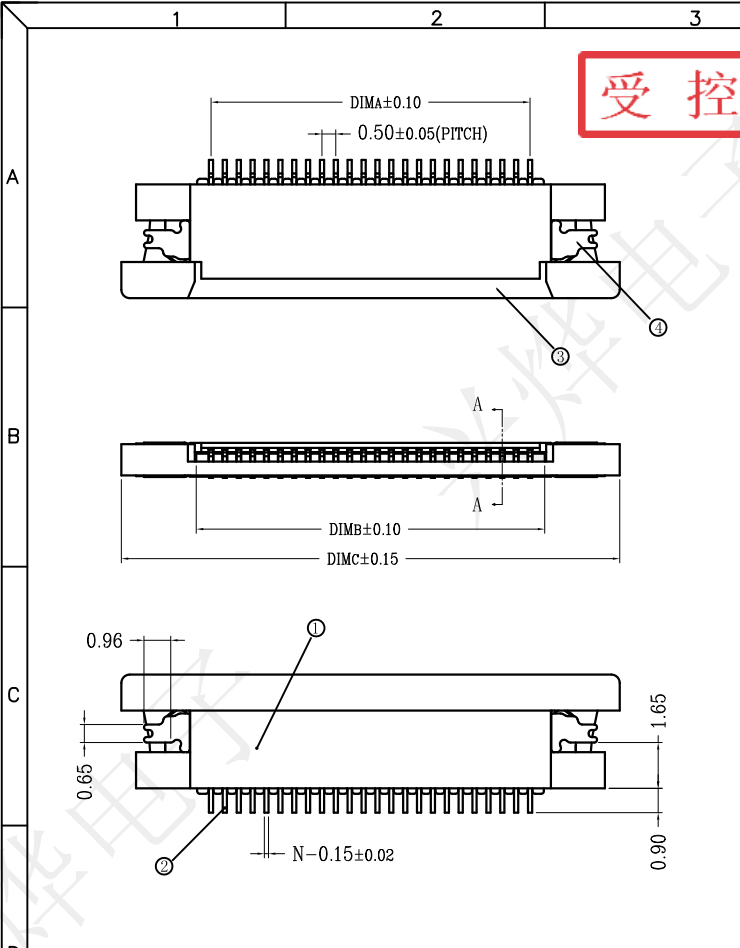


受控文件

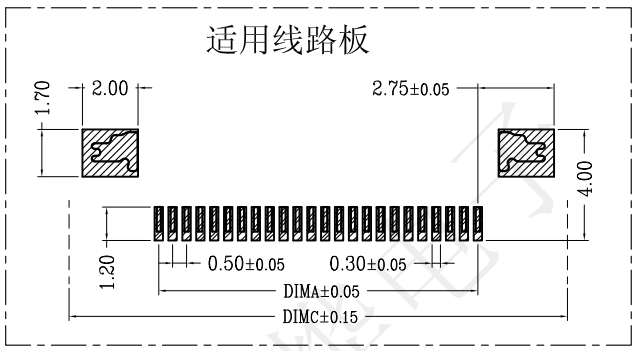
REV.	ECN NO.	DESCRIPTION	DRAW	APPD.	DATE
A	---				

CKTS	料号	尺寸		
		A	B	C
4	FCH24239	1.50	2.56	7.96
5	FCH24240	2.00	3.06	8.46
6	FCH24241	2.50	3.56	8.96
7	FCH24242	3.00	4.06	9.46
8	FCH24243	3.50	4.56	9.96
9	FCH24244	4.00	5.06	10.46
10	FCH24245	4.50	5.56	10.96
11	FCH24246	5.00	6.06	11.46
12	FCH24247	5.50	6.56	11.96
13	FCH24248	6.00	7.06	12.46
14	FCH24249	6.50	7.56	12.96
15	FCH24250	7.00	8.06	13.46
16	FCH24251	7.50	8.56	13.96
17	FCH24252	8.00	9.06	14.46
18	FCH24253	8.50	9.56	14.96
19	FCH24254	9.00	10.06	15.46
20	FCH24255	9.50	10.56	15.96
21	FCH24256	10.00	11.06	16.46
22	FCH24257	10.50	11.56	16.96
23	FCH24258	11.00	12.06	17.46
24	FCH24259	11.50	12.56	17.96
25	FCH24260	12.00	13.06	18.46
26	FCH24261	12.50	13.56	18.96
27	FCH24262	13.00	14.06	19.46
28	FCH24263	13.50	14.56	19.96
29	FCH24264	14.00	15.06	20.46
30	FCH24265	14.50	15.56	20.96
31	FCH24266	15.00	16.06	21.46
32	FCH24267	15.50	16.56	21.96
33	FCH24268	16.00	17.06	22.46
34	FCH24269	16.50	17.56	22.96
35	FCH24270	17.00	18.06	23.46
36	FCH24271	17.50	18.56	23.96
37	FCH24272	18.00	19.06	24.46
38	FCH24273	18.50	19.56	24.96
39	FCH24274	19.00	20.06	25.46
40	FCH24275	19.50	20.56	25.96
41	FCH24276	20.00	21.06	26.46
42	FCH24277	20.50	21.56	26.96
43	FCH24278	21.00	22.06	27.46
44	FCH24279	21.50	22.56	27.96
45	FCH24280	22.00	23.06	28.46
46	FCH24281	22.50	23.56	28.96
47	FCH24282	23.00	24.06	29.46
48	FCH24283	23.50	24.56	29.96
49	FCH24284	24.00	25.06	30.46
50	FCH24285	24.50	25.56	30.96
51	FCH24286	25.00	26.06	31.46
52	FCH24287	25.50	26.56	31.96
53	FCH24288	26.00	27.06	32.46
54	FCH24289	26.50	27.56	32.96
55	FCH24290	27.00	28.06	33.46
56	FCH24291	27.50	28.56	33.96
57	FCH24292	28.00	29.06	34.46
58	FCH24293	28.50	29.56	34.96
59	FCH24294	29.00	30.06	35.46
60	FCH24295	29.50	30.56	35.96



适用扁平线

- Note:
- Material:
 - 1.1 Housing: LCP UL94V-0; Color: natural.
 - 1.2 Latch: LCP UL94V-0; Color: black.
 - 1.3 Terminal: copper alloy.
 - 1.4 Fitting Nail: copper alloy.
 - Finsh:
 - 2.1 Terminal: Underplating: Au/matt Tin overall.
 - 2.2 Fitting Nail: Underplating: matt Tin overall.



深圳市兴烨电子有限公司
ShenZhen XingYe Electronics co., Ltd

TOLERANCE		APPD: 陈爱光 CHED: 施立敏 DRAW: 马洪飞
.XX	±0.30 X° ±2°	
.XX	±0.20 X° ±1°	
.XXX	±0.10 .XX° ±0.5°	
UNITS	mm	

Series Name : 0.5-nP上接带扣H1.2编带

Product Description :

Part NO:

SCALE	SHEET	REV.
1:1	1/1	A1