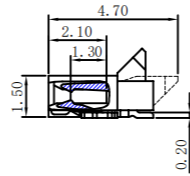
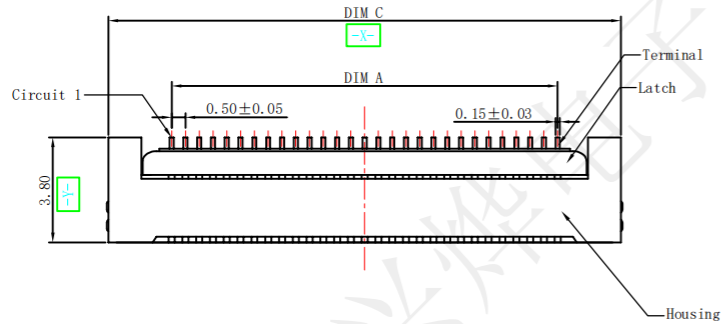
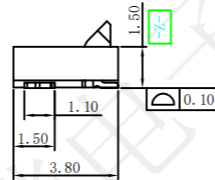
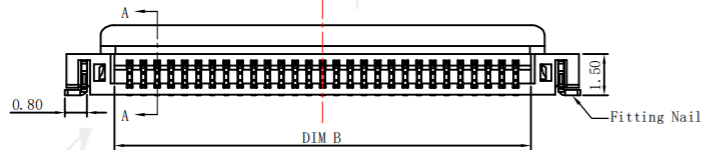


REV.	ECN NO.	DESCRIPTION	DRAW	APPD.	DATE
A	---				

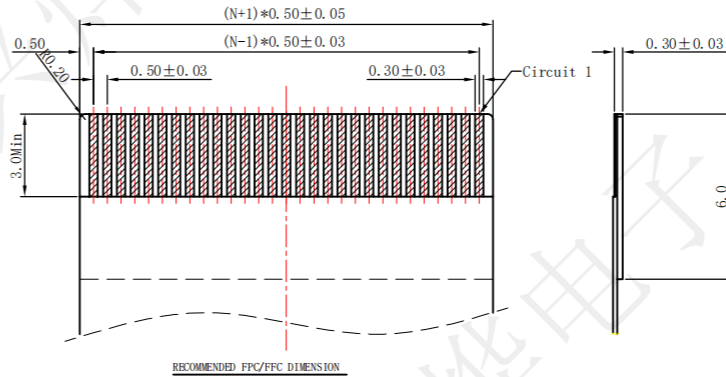
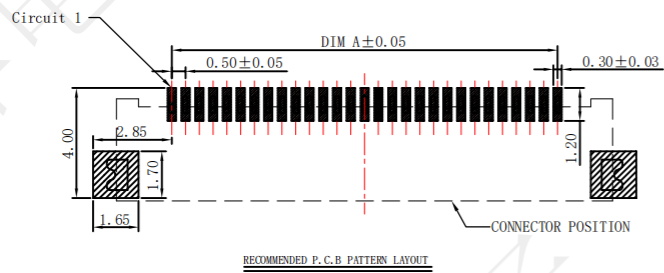


SECTION A-A
SCALE 1:1

- Note:
- Material:
 - Housing: LCP UL94V-0; Color: natural.
 - Latch: LCP UL94V-0; Color: black.
 - Terminal: copper alloy.
 - Fitting Nail: copper alloy.
 - Finish:
 - Terminal:
 - Underplating: Au/matt Tin overall.
 - Fitting Nail:
 - Underplating: matt Tin overall.



受控文件



CKTS	料号	尺寸		
		A	B	C
4	PCZ23690	1.50	2.60	6.10
5	PCZ23691	2.00	3.10	6.60
6	PCZ23692	2.50	3.60	7.10
7	PCZ23693	3.00	4.10	7.60
8	PCZ23694	3.50	4.60	8.10
9	PCZ23695	4.00	5.10	8.60
10	PCZ23696	4.50	5.60	9.10
11	PCZ23697	5.00	6.10	9.60
12	PCZ23698	5.50	6.60	10.10
13	PCZ23699	6.00	7.10	10.60
14	PCZ23700	6.50	7.60	11.10
15	PCZ23701	7.00	8.10	11.60
16	PCZ23702	7.50	8.60	12.10
17	PCZ23703	8.00	9.10	12.60
18	PCZ23704	8.50	9.60	13.10
19	PCZ23705	9.00	10.10	13.60
20	PCZ23706	9.50	10.60	14.10
21	PCZ23707	10.00	11.10	14.60
22	PCZ23708	10.50	11.60	15.10
23	PCZ23709	11.00	12.10	15.60
24	PCZ23710	11.50	12.60	16.10
25	PCZ23711	12.00	13.10	16.60
26	PCZ23712	12.50	13.60	17.10
27	PCZ23713	13.00	14.10	17.60
28	PCZ23714	13.50	14.60	18.10
29	PCZ23715	14.00	15.10	18.60
30	PCZ23716	14.50	15.60	19.10
31	PCZ23717	15.00	16.10	19.60
32	PCZ23718	15.50	16.60	20.10
33	PCZ23719	16.00	17.10	20.60
34	PCZ23720	16.50	17.60	21.10
35	PCZ23721	17.00	18.10	21.60
36	PCZ23722	17.50	18.60	22.10
37	PCZ23723	18.00	19.10	22.60
38	PCZ23724	18.50	19.60	23.10
39	PCZ23725	19.00	20.10	23.60
40	PCZ23726	19.50	20.60	24.10
41	PCZ23727	20.00	21.10	24.60
42	PCZ23728	20.50	21.60	25.10
43	PCZ23729	21.00	22.10	25.60
44	PCZ23730	21.50	22.60	26.10
45	PCZ23731	22.00	23.10	26.60
46	PCZ23732	22.50	23.60	27.10
47	PCZ23733	23.00	24.10	27.60
48	PCZ23734	23.50	24.60	28.10
49	PCZ23735	24.00	25.10	28.60
50	PCZ23736	24.50	25.60	29.10
51	PCZ23737	25.00	26.10	29.60
52	PCZ23738	25.50	26.60	30.10
53	PCZ23739	26.00	27.10	30.60
54	PCZ23740	26.50	27.60	31.10
55	PCZ23741	27.00	28.10	31.60
56	PCZ23742	27.50	28.60	32.10
57	PCZ23743	28.00	29.10	32.60
58	PCZ23744	28.50	29.60	33.10
59	PCZ23745	29.00	30.10	33.60
60	PCZ23746	29.50	30.60	34.10



深圳市兴烨电子有限公司
Shenzhen XingYe Electronics co., Ltd

Series Name :
0.5-nP前插后翻H1.5编带

Product Description :

TOLERANCE		
.XX	±0.30	X.° ±2°
.XX	±0.20	.X° ±1°
.XXX	±0.10	.XX° ±0.5°
UNITS	mm	

Part NO:

	SCALE	SHEET	REV.
	1:1	1/1	A1

DRAW: 马洪飞