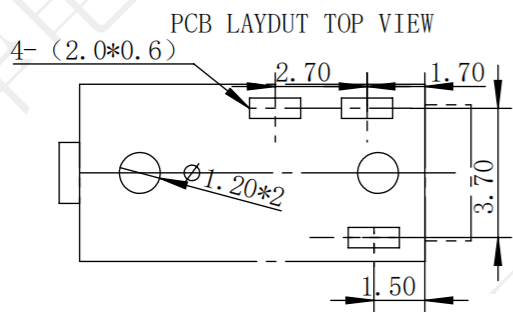
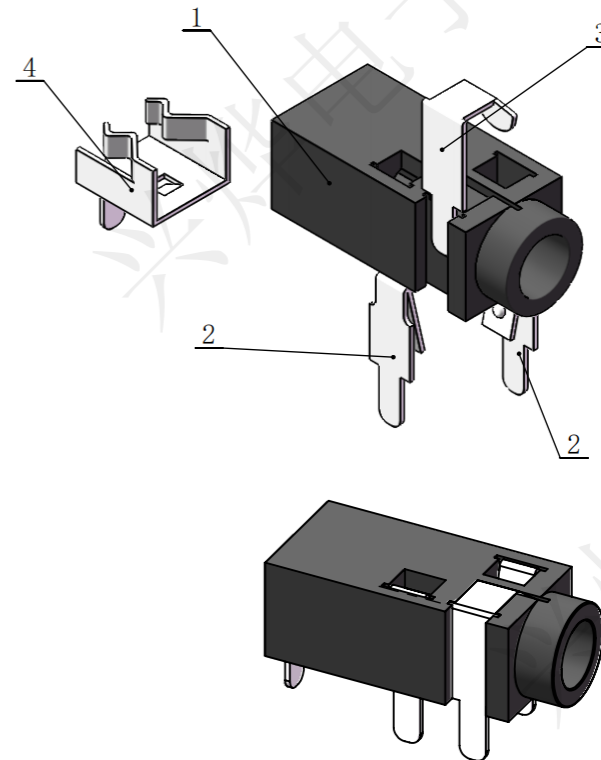
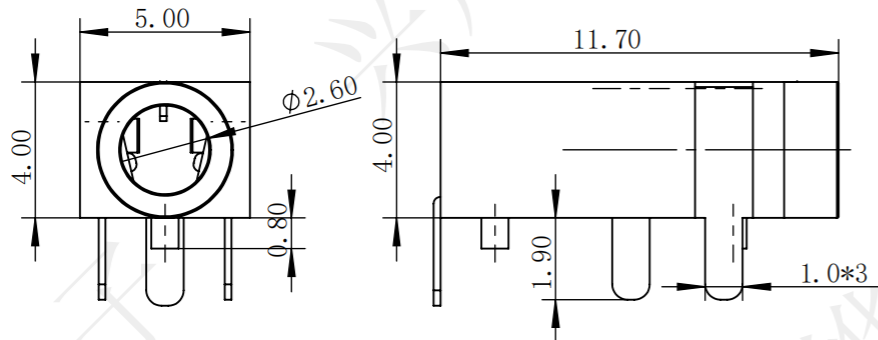
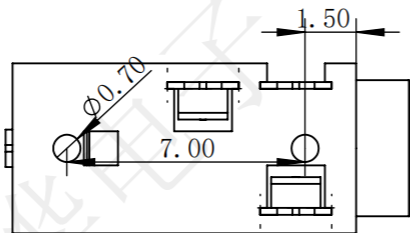
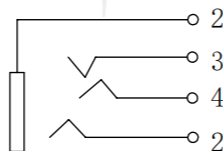




REV.	ECN NO.	DESCRIPTION	DRAW	APPD.	DATE
	---				



CIRCUIT DIAGRAM



## 受控文件

技术指标:

1. 接触电阻: Contact Resistance  $\leq 0.03\text{m}\Omega$
2. 额定负荷: Rated Load 30V DC 0.5A
3. 绝缘电阻: Insulation Resistance  $\geq 100\text{m}\Omega$
4. 拔插力: Insertion and Extraction Force 3N~30N
5. 耐压: Withstand Volatage 500V, AC/min 电器寿命: 5000次
6. 温度范围: Temperature -40~+70°C

NO.	DESCRIPTION	MATERIAL	PLATED	QTY
1	HOUSING	PPA (BLACK)		1
2	1号脚	PHOSPHOR BRONZE T=0.2	AG	2
3	2号脚	PHOSPHOR BRONZE T=0.2	AG	1
4	3号脚	PHOSPHOR BRONZE T=0.2	AG	1



Series Name :			
Product Name : PJ-218A直插			
Part NO: PJL22046			
TOLERANCE	APPD: 陈爱光	SCALE	SHEET
X.X ±0.30 X.° ±2°	CHEDED: 施立敏	1:1	1/1
.XX ±0.20 .X° ±1°	DRAW: 马洪飞	REV.	A1
.XXX ±0.10 .XX° ±0.5°			
UNITS mm			