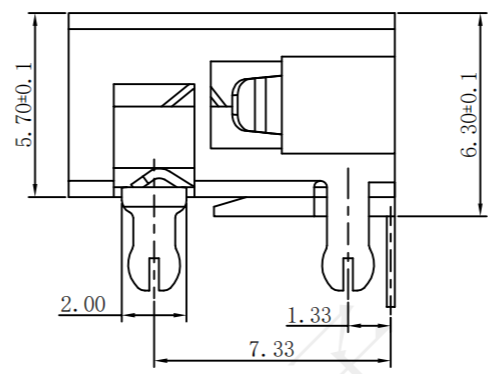
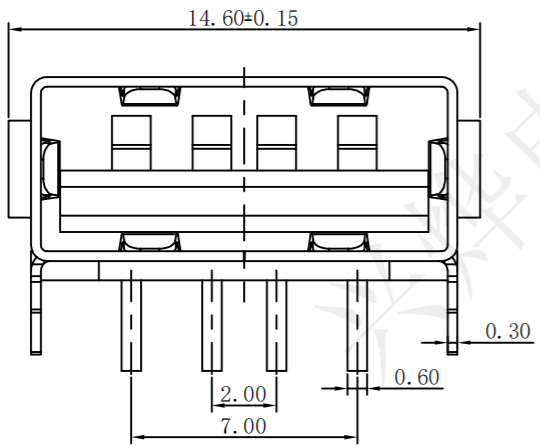
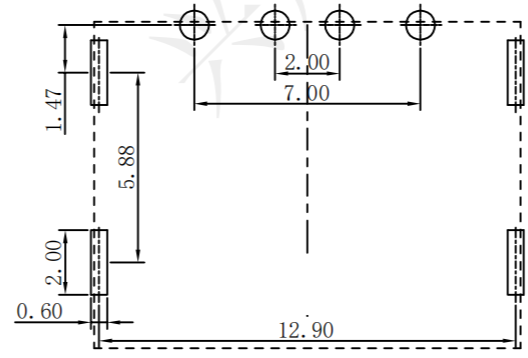
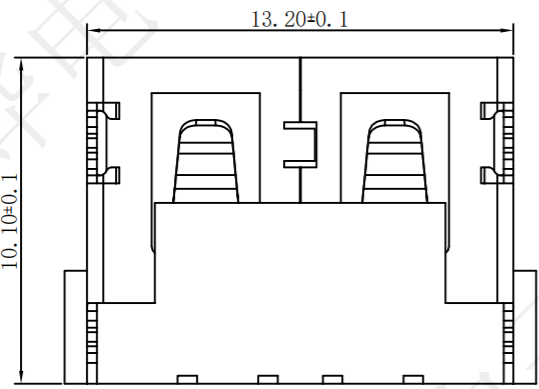


REV.	ECN NO.	DESCRIPTION	DRAW	APPD.	DATE
A	---				



受控文件

Specification:  
 Current rating: DC 1.5A 30V  
 Dielectric withstanding voltage: 500 V(ac) for 1 min.  
 Contact resistance: 30 mΩ Max.  
 Insulation resistance: 100 MΩ Min.  
 Total mating force: 3.57 Kgf Max.  
 Total unmating force: 1.0 Kgf Min.  
 Temperature range: -30°C~80°C



PCB LAYOUT

No.	Pare Name	Number	Material	Remarks
3	Shell	1PCS	copper alloy	t=0.3mm
2	Contacts	4PCS	copper alloy	t=0.25mm
1	Housing	1PCS	LCP	black/UL94v-0

**深圳市兴烨电子有限公司**  
ShenZhen XingYe Electronics co., Ltd

TOLERANCE		APPD: 陈爱光 CHED: 施立敏 DRAW: 马洪飞
.XX ±0.30	X.° ±2°	
.XX ±0.20	X.° ±1°	
.XXX ±0.10	.XX° ±0.5°	
UNITS	mm	

Series Name :		
Product Description : AF90度短体6.3四脚插后插反向直边铜黑色 LCP常规 (USB-04AFX-48S-B)		
Part NO: USBG48004		
	SCALE	SHEET
	1:1	1/1
	REV.	A1