

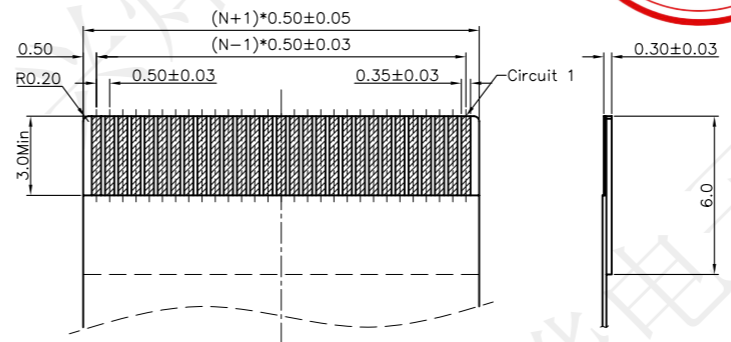
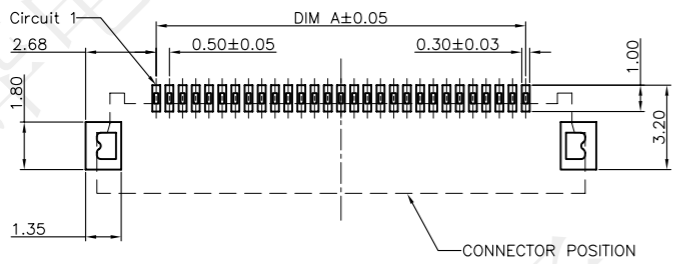
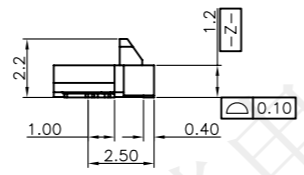
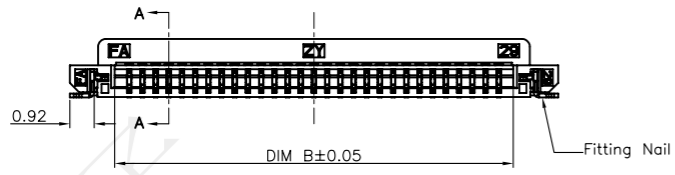
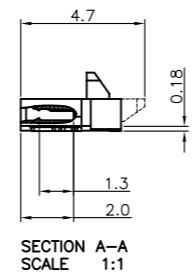
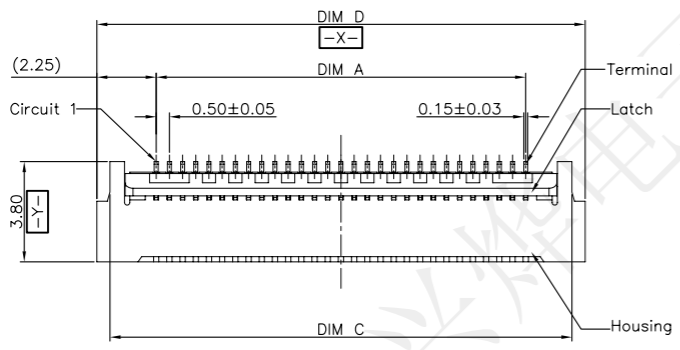
受控文件

REV.	ECN NO.	DESCRIPTION	DRAW	APPD.	DATE
A	---				

- Note:**
- Material:
 - Housing: thermoplastic high temp.UL94V-0; Color: natural.
 - Latch: thermoplastic high temp.UL94V-0; Color: black.
 - Terminal: copper alloy.
 - Fitting Nail: copper alloy.
 - Finish:
 - Terminal: Underplating: Au/matt Tin overall.
 - Fitting Nail: Underplating: matt Tin overall.
 - Product must comply HF RoHS specification.
 - Product No:

AFC34-S	**	F	*	A	-	00
CKTS						
CONTACTS TYPE						REMARKS
F:Lower						HF:Halogen free
H:Double Lower						
PLATING						PACKING
1:Gold flash 1u"						A:Tape&Reel
2:Gold flash 2u"						C:Tube
3:Gold flash 3u"						
B:Bright-Tin 90-120u"						
C:Matt-Tin 90-120u"						

CKTS	料号	尺寸			
		A	B	C	D
4	FCZ24118	1.50	2.60	5.00	6.00
5	FCZ24119	2.00	3.10	5.50	6.50
6	FCZ24120	2.50	3.60	6.00	7.00
7	FCZ24121	3.00	4.10	6.50	7.50
8	FCZ24122	3.50	4.60	7.00	8.00
9	FCZ24123	4.00	5.10	7.50	8.50
10	FCZ24124	4.50	5.60	8.00	9.00
11	FCZ24125	5.00	6.10	8.50	9.50
12	FCZ24126	5.50	6.60	9.00	10.00
13	FCZ24127	6.00	7.10	9.50	10.50
14	FCZ24128	6.50	7.60	10.00	11.00
15	FCZ24129	7.00	8.10	10.50	11.50
16	FCZ24130	7.50	8.60	11.00	12.00
17	FCZ24131	8.00	9.10	11.50	12.50
18	FCZ24132	8.50	9.60	12.00	13.00
19	FCZ24133	9.00	10.10	12.50	13.50
20	FCZ24134	9.50	10.60	13.00	14.00
21	FCZ24135	10.00	11.10	13.50	14.50
22	FCZ24136	10.50	11.60	14.00	15.00
23	FCZ24137	11.00	12.10	14.50	15.50
24	FCZ24138	11.50	12.60	15.00	16.00
25	FCZ24139	12.00	13.10	15.50	16.50
26	FCZ24140	12.50	13.60	16.00	17.00
27	FCZ24141	13.00	14.10	16.50	17.50
28	FCZ24142	13.50	14.60	17.00	18.00
29	FCZ24143	14.00	15.10	17.50	18.50
30	FCZ24144	14.50	15.60	18.00	19.00
31	FCZ24145	15.00	16.10	18.50	19.50
32	FCZ24146	15.50	16.60	19.00	20.00
33	FCZ24147	16.00	17.10	19.50	20.50
34	FCZ24148	16.50	17.60	20.00	21.00
35	FCZ24149	17.00	18.10	20.50	21.50
36	FCZ24150	17.50	18.60	21.00	22.00
37	FCZ24151	18.00	19.10	21.50	22.50
38	FCZ24152	18.50	19.60	22.00	23.00
39	FCZ24153	19.00	20.10	22.50	23.50
40	FCZ24154	19.50	20.60	23.00	24.00
41	FCZ24155	20.00	21.10	23.50	24.50
42	FCZ24156	20.50	21.60	24.00	25.00
43	FCZ24157	21.00	22.10	24.50	25.50
44	FCZ24158	21.50	22.60	25.00	26.00
45	FCZ24159	22.00	23.10	25.50	26.50
46	FCZ24160	22.50	23.60	26.00	27.00
47	FCZ24161	23.00	24.10	26.50	27.50
48	FCZ24162	23.50	24.60	27.00	28.00
49	FCZ24163	24.00	25.10	27.50	28.50
50	FCZ24164	24.50	25.60	28.00	29.00
51	FCZ24165	25.00	26.10	28.50	29.50
52	FCZ24166	25.50	26.60	29.00	30.00
53	FCZ24167	26.00	27.10	29.50	30.50
54	FCZ24168	26.50	27.60	30.00	31.00
55	FCZ24169	27.00	28.10	30.50	31.50
56	FCZ24170	27.50	28.60	31.00	32.00
57	FCZ24171	28.00	29.10	31.50	32.50
58	FCZ24172	28.50	29.60	32.00	33.00
59	FCZ24173	29.00	30.10	32.50	33.50
60	FCZ24174	29.50	30.60	33.00	34.00



深圳市兴烨电子有限公司
Shenzhen XingYe Electronics co., Ltd

TOLERANCE		
.XX ±0.30	X.° ±2°	APPD: 陈爱光
.XX ±0.20	.X° ±1°	CHED: 施立敏
.XXX ±0.10	.XX° ±0.5°	DRAW: 马洪飞
UNITS	mm	

Series Name : 0.5-nP前插后翻H1.2编带

Product Description :

Part NO:

SCALE	SHEET	REV.
1:1	1/1	A1

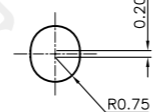
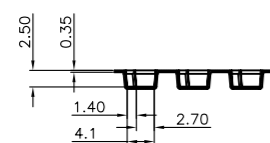
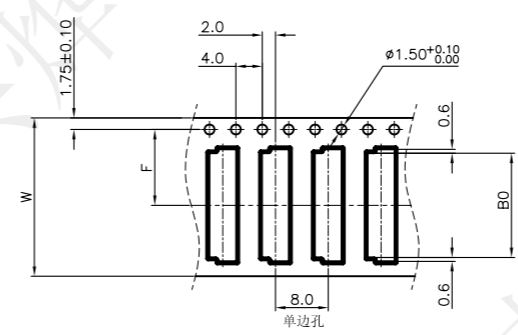
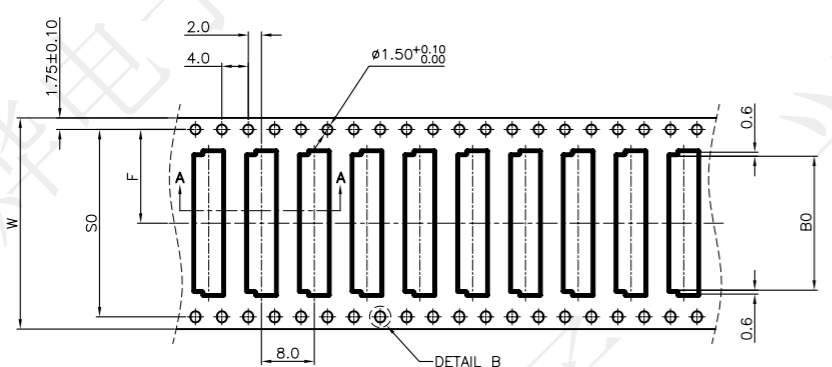
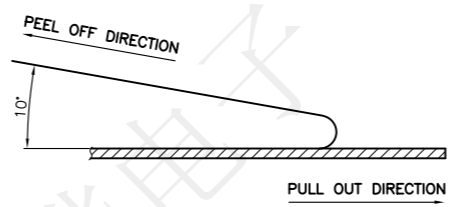
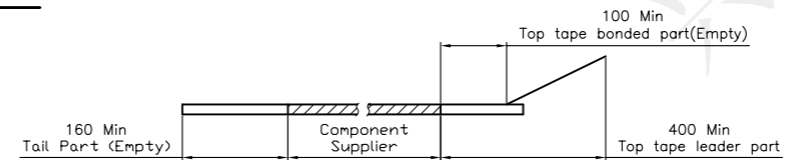
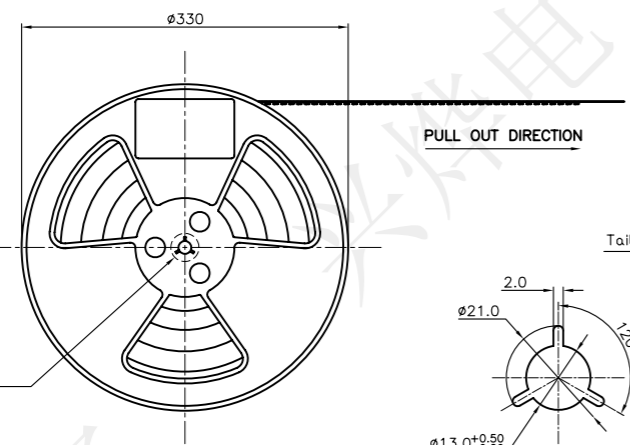
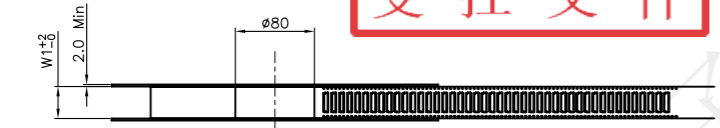
受控文件

REV.	ECN NO.	DESCRIPTION	DRAW	APPD.	DATE
A	---				

NOTES:

1. 10 SPROCKET HOLE PITCH CUMULATIVE TOLERANCE.±0.20mm
2. CARRIER CAMBER NOT TO EXCEED 1mm IN 250mm.
3. ALL DIMENSIONS MEET EIA-481-C REQUIREMENTS.
4. MATERIAL: BLACK ANTI-STATIC POLYSTYRENE.
5. THICKNESS: 0.35 ± 0.05 mm.
6. PACKING LENGTH PER 13" REEL: 24.60METERS.
7. COMPONENT LOAD PER 13" REEL: 3000PCS
8. PEELING OFF FORCE OF TOP TAPE 0.1N~0.7N(10.2gf~71.4gf).

CKTS	B0±0.10	W	W1	F	S0±0.10
4	5.30	16±0.3/-0	16.4	7.5±0.10	
5	5.80				
6	6.30				
7	6.80				
8	7.30				
9	7.80				
10	8.30				
11	8.80				
12	9.30				
13	9.80				
14	10.30	24±0.3/-0	24.4	11.5	单边孔
15	10.80				
16	11.30				
17	11.80				
18	12.30				
19	12.80				
20	13.30				
21	13.80				
22	14.30				
23	14.80				
24	15.30	32±0.30	32.4	14.2±0.10	28.4
25	15.80				
26	16.30				
27	16.80				
28	17.30				
29	17.80				
30	18.30				
31	18.80				
32	19.30				
33	19.80				
34	20.30	44±0.30	44.4	20.2±0.15	40.4
35	20.80				
36	21.30				
37	21.80				
38	22.30				
39	22.80				
40	23.30				
41	23.80				
42	24.30				
43	24.80				
44	25.30	56±0.30	56.4	26.2±0.15	52.4
45	25.80				
46	26.30				
47	26.80				
48	27.30				
49	27.80				
50	28.30				
51	28.80				
52	29.30				
53	29.80				
54	30.30				
55	30.80				
56	31.30				
57	31.80				
58	32.30				
59	32.80				
60	33.30				



深圳市兴烨电子有限公司
Shenzhen XingYe Electronics co., Ltd

TOLERANCE	
.XX ±0.30	.X° ±2°
.XX ±0.20	.X° ±1°
.XXX ±0.10	.XX° ±0.5°
UNITS	mm

Series Name :
0.5-nP前插后翻H1.2编带

Product Description :

APPD: 陈爱光	SCALE 1:1	SHEET 1/1	REV. A1
CHED: 施立敏			
DRAW: 马洪飞			