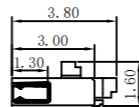
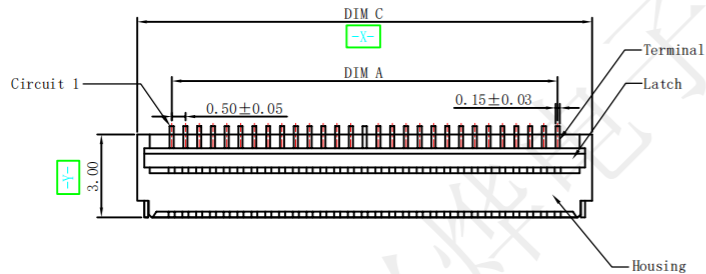


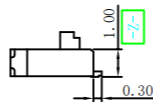
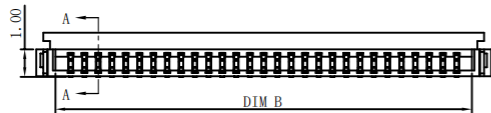
REV.	ECN NO.	DESCRIPTION	DRAW	APPD.	DATE
A	---				



SECTION A-A
SCALE 1:1

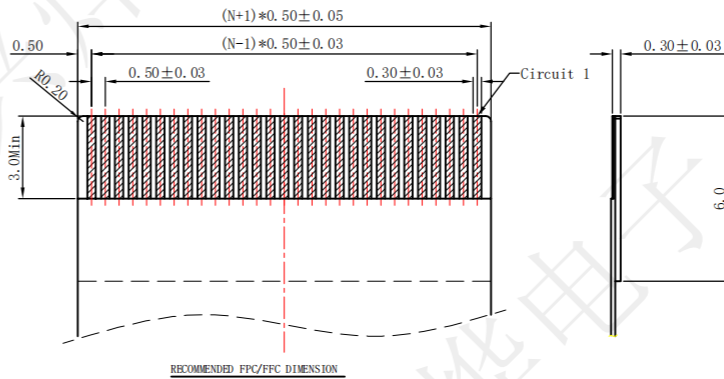
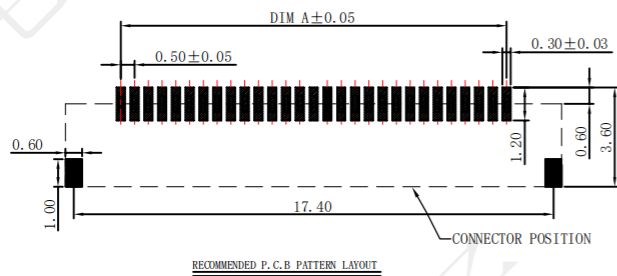
Note:

1. Material:
 - 1.1 Housing: LCP UL94V-0; Color: natural.
 - 1.2 Latch: LCP UL94V-0; Color: black.
 - 1.3 Terminal: copper alloy.
 - 1.4 Fitting Nail: copper alloy.
2. Finish:
 - 2.1 Terminal:
 - Underplating: Au/matt Tin overall.
 - 2.2 Fitting Nail:
 - Underplating: matt Tin overall.



受控文件

CKTS	料号	尺寸		
		A	B	C
4	PCZ23747	1.50	2.60	4.00
5	PCZ23748	2.00	3.10	4.50
6	PCZ23749	2.50	3.60	5.00
7	PCZ23750	3.00	4.10	5.50
8	PCZ23751	3.50	4.60	6.00
9	PCZ23752	4.00	5.10	6.50
10	PCZ23753	4.50	5.60	7.00
11	PCZ23754	5.00	6.10	7.50
12	PCZ23755	5.50	6.60	8.00
13	PCZ23756	6.00	7.10	8.50
14	PCZ23757	6.50	7.60	9.00
15	PCZ23758	7.00	8.10	9.50
16	PCZ23759	7.50	8.60	10.00
17	PCZ23760	8.00	9.10	10.50
18	PCZ23761	8.50	9.60	11.00
19	PCZ23762	9.00	10.10	11.50
20	PCZ23763	9.50	10.60	12.00
21	PCZ23764	10.00	11.10	12.50
22	PCZ23765	10.50	11.60	13.00
23	PCZ23766	11.00	12.10	13.50
24	PCZ23767	11.50	12.60	14.00
25	PCZ23768	12.00	13.10	14.50
26	PCZ23769	12.50	13.60	15.00
27	PCZ23770	13.00	14.10	15.50
28	PCZ23771	13.50	14.60	16.00
29	PCZ23772	14.00	15.10	16.50
30	PCZ23773	14.50	15.60	17.00
31	PCZ23774	15.00	16.10	17.50
32	PCZ23775	15.50	16.60	18.00
33	PCZ23776	16.00	17.10	18.50
34	PCZ23777	16.50	17.60	19.00
35	PCZ23778	17.00	18.10	19.50
36	PCZ23779	17.50	18.60	20.00
37	PCZ23780	18.00	19.10	20.50
38	PCZ23781	18.50	19.60	21.00
39	PCZ23782	19.00	20.10	21.50
40	PCZ23783	19.50	20.60	22.00
41	PCZ23784	20.00	21.10	22.50
42	PCZ23785	20.50	21.60	23.00
43	PCZ23786	21.00	22.10	23.50
44	PCZ23787	21.50	22.60	24.00
45	PCZ23788	22.00	23.10	24.50
46	PCZ23789	22.50	23.60	25.00
47	PCZ23790	23.00	24.10	25.50
48	PCZ23791	23.50	24.60	26.00
49	PCZ23792	24.00	25.10	26.50
50	PCZ23793	24.50	25.60	27.00



深圳市兴烨电子有限公司
Shenzhen XingYe Electronics co., Ltd

TOLERANCE		
X.X ±0.30	X.° ±2°	APPD: 陈爱光
.XX ±0.20	.X° ±1°	CHED: 施立敏
.XXX ±0.10	.XX° ±0.5°	DRAW: 马洪飞
UNITS	mm	

Series Name :
0.5-nP前插后翻H1.0编带

Product Name :

Part NO:

SCALE	SHEET	REV.
1:1	1/1	A1