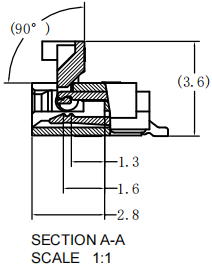
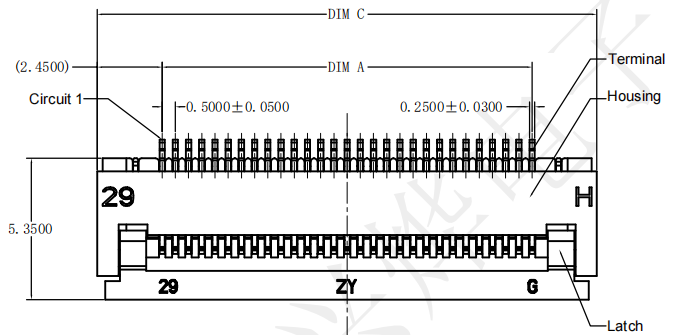


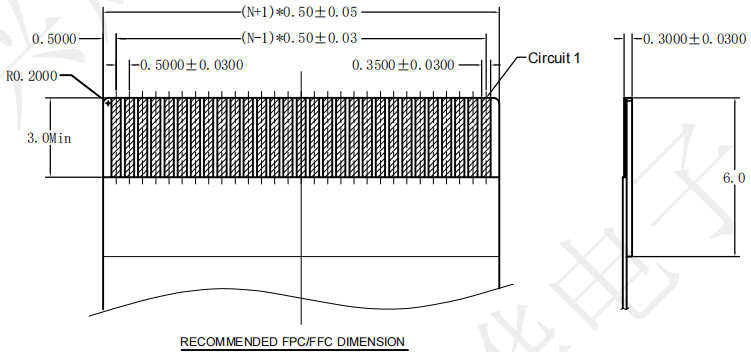
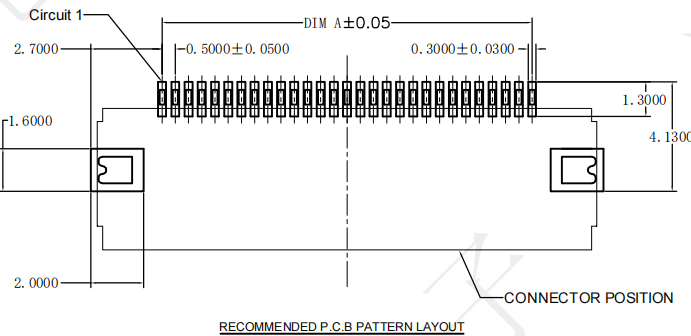
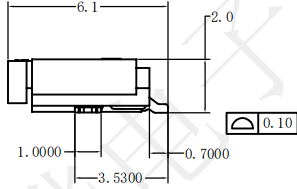
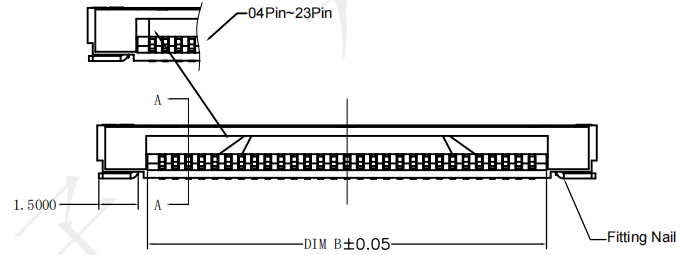
REV.	ECN NO.	DESCRIPTION	DRAW	APPD.	DATE
A	---				

受控文件



Note:  
 1. Material:  
 1.1 Housing: LCP UL94V-0; Color: natural.  
 1.2 Latch: LCP UL94V-0; Color: black.  
 1.3 Terminal: copper alloy.  
 1.4 Fitting Nail: copper alloy.  
 2. Finish:  
 2.1 Terminal:  
 Underplating: Au/matt Tin overall.  
 2.2 Fitting Nail:  
 Underplating: matt Tin overall.

CKTS	料号	尺寸		
		A	B	C
4	FCL23001	1.50	2.60	6.40
5	FCL23002	2.00	3.10	6.90
6	FCL23003	2.50	3.60	7.40
7	FCL23004	3.00	4.10	7.90
8	FCL23005	3.50	4.60	8.40
9	FCL23006	4.00	5.10	8.90
10	FCL23007	4.50	5.60	9.40
11	FCL23008	5.00	6.10	9.90
12	FCL23009	5.50	6.60	10.40
13	FCL23010	6.00	7.10	10.90
14	FCL23011	6.50	7.60	11.40
15	FCL23012	7.00	8.10	11.90
16	FCL23013	7.50	8.60	12.40
17	FCL23014	8.00	9.10	12.90
18	FCL23015	8.50	9.60	13.40
19	FCL23016	9.00	10.10	13.90
20	FCL23017	9.50	10.60	14.40
21	FCL23018	10.00	11.10	14.90
22	FCL23019	10.50	11.60	15.40
23	FCL23020	11.00	12.10	15.90
24	FCL23021	11.50	12.60	16.40
25	FCL23022	12.00	13.10	16.90
26	FCL23023	12.50	13.60	17.40
27	FCL23024	13.00	14.10	17.90
28	FCL23025	13.50	14.60	18.40
29	FCL23026	14.00	15.10	18.90
30	FCL23027	14.50	15.60	19.40
31	FCL23028	15.00	16.10	19.90
32	FCL23029	15.50	16.60	20.40
33	FCL23030	16.00	17.10	20.90
34	FCL23031	16.50	17.60	21.40
35	FCL23032	17.00	18.10	21.90
36	FCL23033	17.50	18.60	22.40
37	FCL23034	18.00	19.10	22.90
38	FCL23035	18.50	19.60	23.40
39	FCL23036	19.00	20.10	23.90
40	FCL23037	19.50	20.60	24.40
41	FCL23038	20.00	21.10	24.90
42	FCL23039	20.50	21.60	25.40
43	FCL23040	21.00	22.10	25.90
44	FCL23041	21.50	22.60	26.40
45	FCL23042	22.00	23.10	26.90
46	FCL23043	22.50	23.60	27.40
47	FCL23044	23.00	24.10	27.90
48	FCL23045	23.50	24.60	28.40
49	FCL23046	24.00	25.10	28.90
50	FCL23047	24.50	25.60	29.40
51	FCL23048	25.00	26.10	29.90
52	FCL23049	25.50	26.60	30.40
53	FCL23050	26.00	27.10	30.90
54	FCL23051	26.50	27.60	31.40
55	FCL23052	27.00	28.10	31.90
56	FCL23053	27.50	28.60	32.40
57	FCL23054	28.00	29.10	32.90
58	FCL23055	28.50	29.60	33.40
59	FCL23056	29.00	30.10	33.90
60	FCL23057	29.50	30.60	34.40



**深圳市兴烨电子有限公司**  
 ShenZhen XingYe Electronics co., Ltd

Series Name : 0.5-nP翻盖H2.0编带  
 Product Description :

TOLERANCE		APPD: 陈爱光
.XX ±0.30	X° ±2°	
.XX ±0.20	.X° ±1°	CHED: 施立敏
.XXX ±0.10	.XX° ±0.5°	
UNITS	mm	DRAW: 马洪飞

Part NO:

SCALE	SHEET	REV.
1:1	1/1	A1