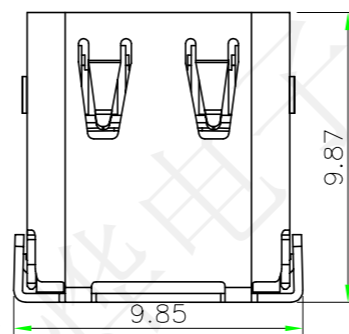
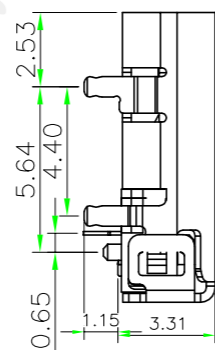
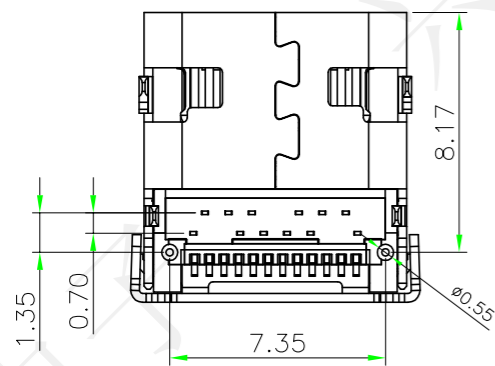
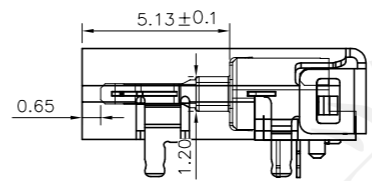
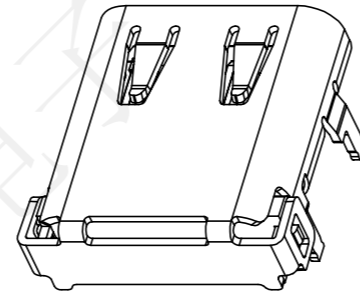
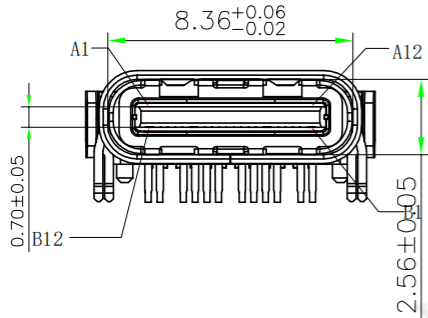
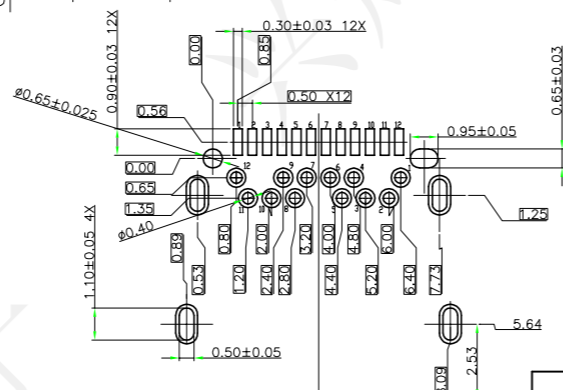
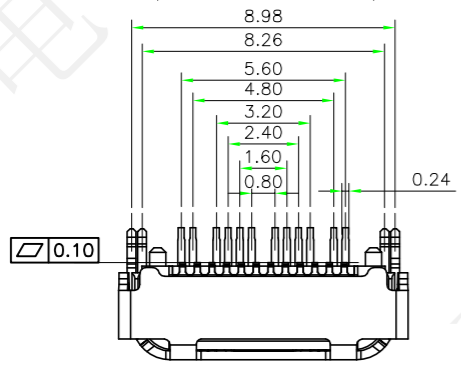


REV.	ECN NO.	DESCRIPTION	DRAW	APPD.	DATE
	---				

PIN NUMBER	SIGNAL NAME	PIN NUMBER	SIGNAL NAME
A1	GND	B12	GND
A2	SSTXp1	B11	SSRXp1
A3	SSTXn1	B10	SSRXn1
A4	VBUS	B9	VBUS
A5	CC1	B8	SBU2
A6	Dp1	B7	Dn2
A7	Dn1	B6	Dp2
A8	SBU1	B5	CC2
A9	VBUS	B4	VBUS
A10	SSRXn2	B3	SSTXn2
A11	SSRXp2	B2	SSTXp2
A12	GND	B1	GND



- MECHANICAL:
  - INSERTION: 5~20N.
  - EXTRACTION: 8~20N AFTER TEST.
  - DURABILITY: 10000 CYCLES
- ELECTRICAL:
  - CURRENT: 5A FOR VBUS;
  - 1.25A FOR GND PIN.
  - 0.25A FOR OTHER.
  - VOLTAGE: 5.0V MAX
  - WITHSTANDING VOLTAGE: 100V AC R. M. S.
  - CONTACT RESISTANCE: 40mΩ MAX.
  - INSULATION RESISTANCE: 100MΩ MIN.
- ENVIRONMENTAL
  - TEMPERATURE RANGE -30° C ~ +85° C



受控文件

NO.	Part name	Material	Remarks
4	Front shell	Stainless steel	Ni/SN plated
3	Mid plate	Stainless steel	T=0.15mm
2	Contact	Copper alloy	Au/Ni plated
1	Housing	LCP+30%G.F	UL94 V-0.

**深圳市兴烨电子有限公司**  
Shenzhen XingYe Electronics co., Ltd

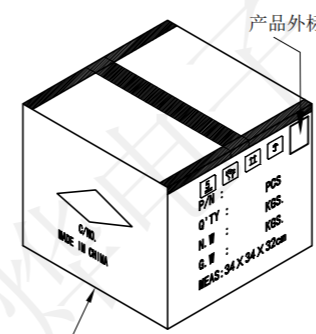
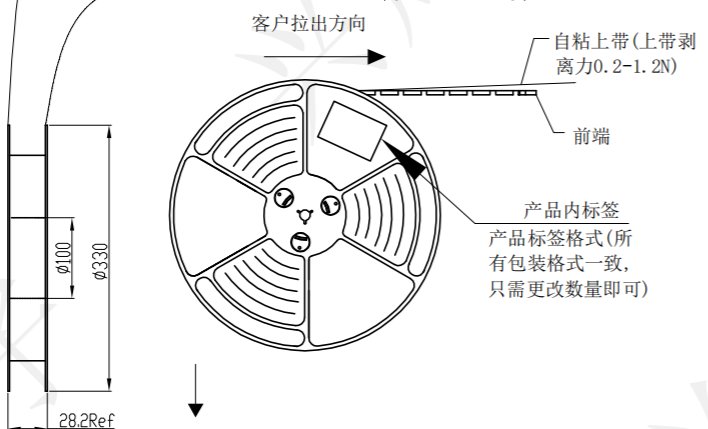
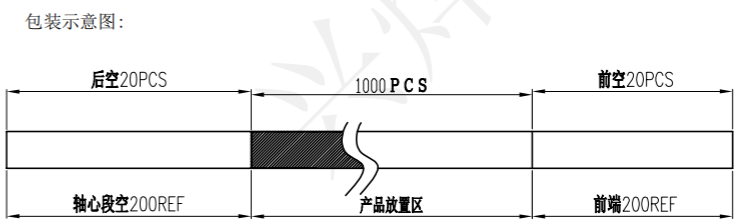
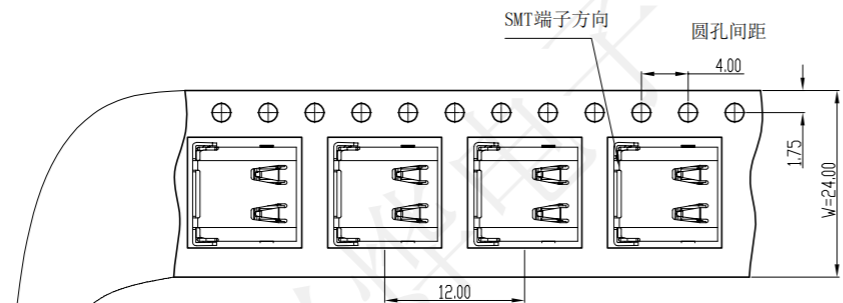
TOLERANCE	
X.X ±0.30	X.° ±2°
.XX ±0.20	.X° ±1°
.XXX ±0.10	.XX° ±0.5°
UNITS	mm

Series Name :  
Product Name :  
TYPE-CF-24P前插后贴板上L9.87 脚1.15编带

Part NO:	UCY27401
SCALE	1:1
SHEET	1/1
REV.	A1

APPD: 陈爱光  
CHED: 施立敏  
DRAW: 马洪飞

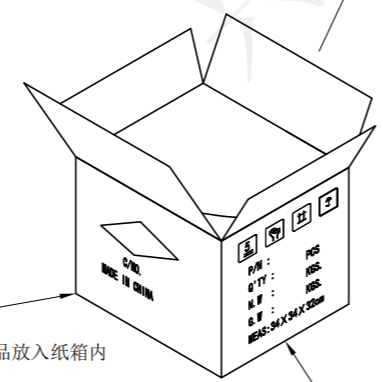
REV.	ECN NO.	DESCRIPTION	DRAW	APPD.	DATE
	---				



- 备注:
- 1.把下载带送入载带机进行调整,然后将产品按照指定的方式摆入下载带中,开动卷带机进行卷装(每卷包1000PCS),卷装完成后需用上带缠绕最少20CM;
  - 2.在卷装OK的每卷盘面的指定位置上贴上物料和RoHS标签装入纸箱内;每箱装10盘
  - 3.纸箱用封箱带将其封好,胶带要求工字型,不可遮住标签;
  - 4.如果客户对包装标签另有要求,请按客户要求作业;有未满足之零数箱需用缓冲材料填充;
  - 5.上载带剥离力:0.2-1.2N.;



**受控文件**



**深圳市兴烨电子有限公司**  
Shenzhen XingYe Electronics co., Ltd

Series Name :  
Product Name :  
TYPE-CF-24P前插后贴板上L9.87 脚1.15编带

TOLERANCE		
X.X ±0.30	X.° ±2°	APPD: 陈爱光
.XX ±0.20	.X° ±1°	CHED: 施立敏
.XXX ±0.10	.XX° ±0.5°	DRAW: 马洪飞
UNITS	mm	

Part NO:		
SCALE	SHEET	REV.
1:1	1/1	A1