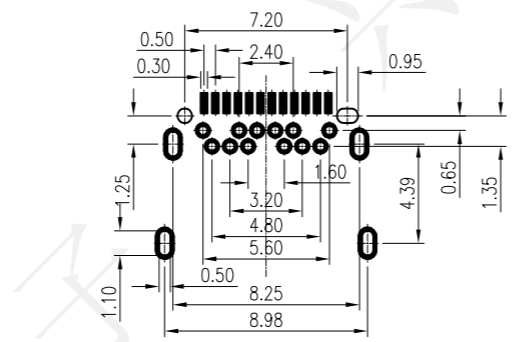
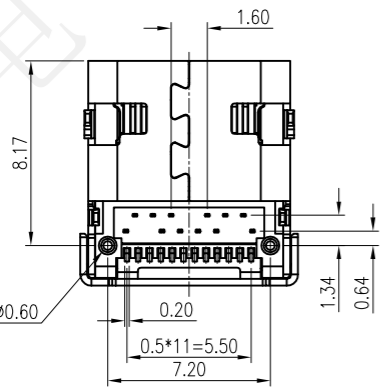
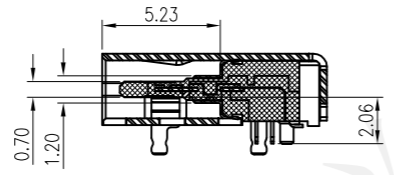
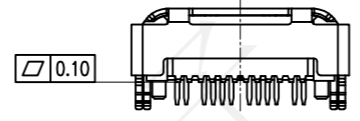
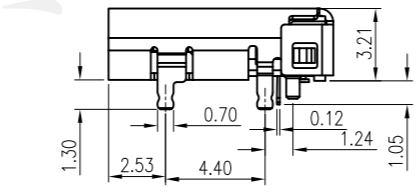
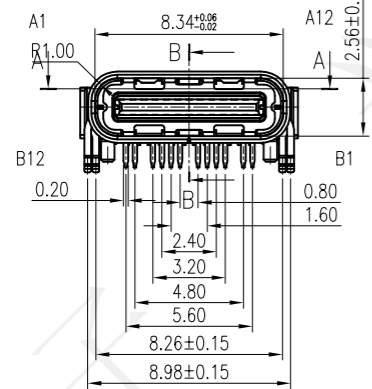
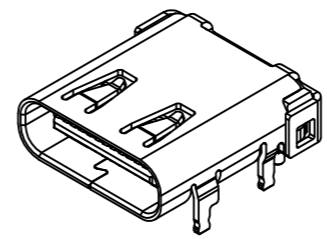
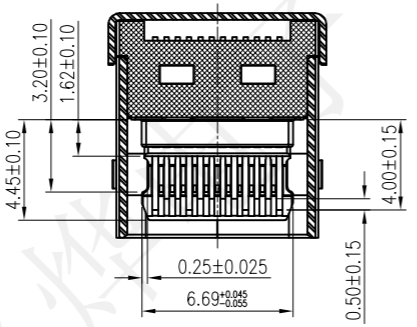
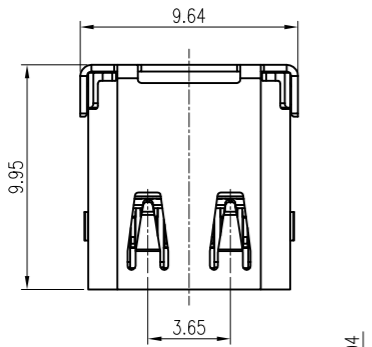


REV.	ECN NO.	DESCRIPTION	DRAW	APPD.	DATE
	---				



RECOMMENDED P.C.B LAYOUT  
TOP VIEW(TOLERANCE±0.05)

1. MECHANICAL:  
 INSERTION: 5~20N.  
 EXTRACTION: 8~20N AFTER TEST.  
 DURABILITY: 10000 CYCLES
2. ELECTRICAL:  
 CURRENT: 5A FOR VBUS;  
 1.25A FOR GND PIN.  
 0.25A FOR OTHER.  
 VOLTAGE: 5.0V MAX  
 WITHSTANDING VOLTAGE: 100V AC R. M. S.  
 CONTACT RESISTANCE: 40mΩ MAX.  
 INSULATION RESISTANCE: 100MΩ MIN.
3. ENVIRONMENTAL  
 TEMPERATURE RANGE -40° C ~ +85° C



受控文件

PIN	SIGNAL NAME	PIN	SIGNAL NAME
A1	GND	B12	GND
A2	SSTXP1	B11	SSRXP1
A3	SSTXN1	B10	SSRXN1
A4	VBUS	B9	VBUS
A5	CC1	B8	SBU2
A6	DP1	B7	DN2
A7	DN1	B6	DP2
A8	SBU1	B5	CC2
A9	VBUS	B4	VBUS
A10	SSRXN2	B3	SSTXN2
A11	SSRXP2	B2	SSTXP2
A12	GND	B1	GND

NO.	Part name	Material	Remarks
4	Front shell	Stainless steel	Ni/SN plated
3	Mid plate	Stainless steel	T=0.15mm
2	Contact	Copper alloy	Au/Ni plated
1	Housing	LCP	UL94 V-0.

深圳市兴烨电子有限公司  
Shenzhen XingYe Electronics co., Ltd

TOLERANCE		
X.X	±0.30	X.° ±2°
.XX	±0.20	.X° ±1°
.XXX	±0.10	.XX° ±0.5°
UNITS	mm	

Series Name :  
 Product Name :  
 TYPE-CF-24P前插后贴板上L9.95 编带

Part NO: UCG27403

SCALE	SHEET	REV.
1:1	1/1	A1

APPD: 陈爱光  
 CHED: 施立敏  
 DRAW: 马洪飞