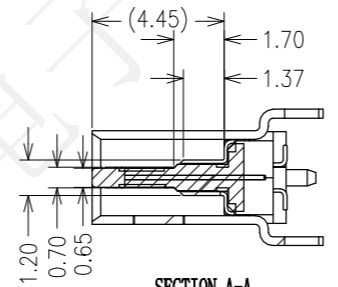
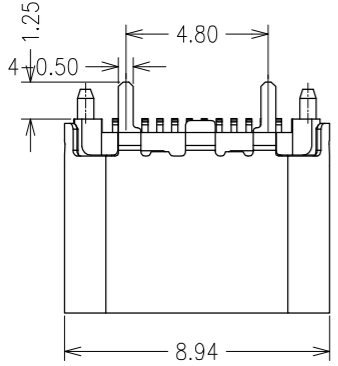
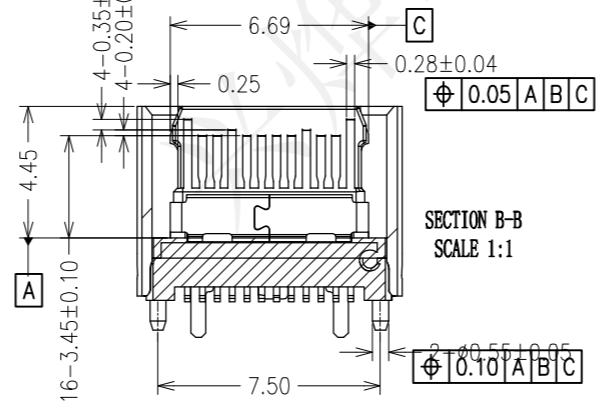
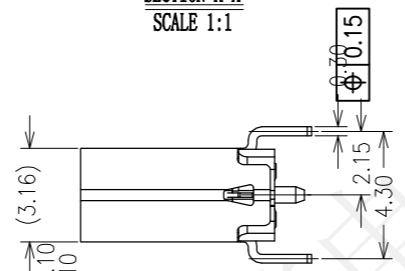
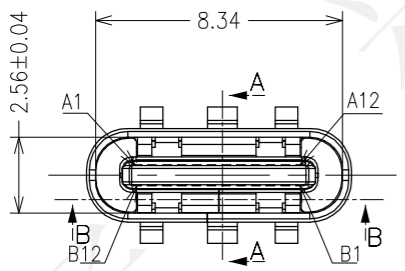


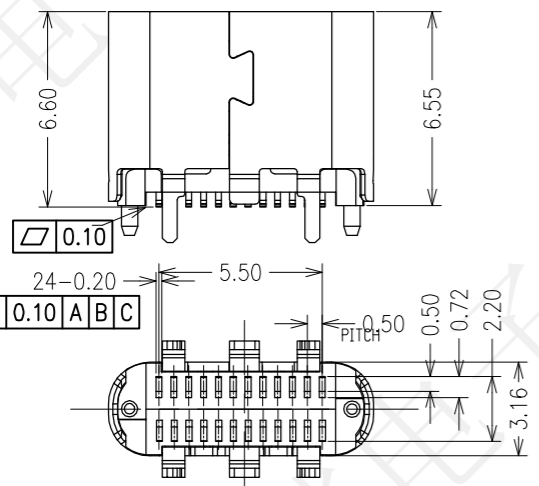
REV.	ECN NO.	DESCRIPTION	DRAW	APPD.	DATE



SECTION A-A
SCALE 1:1



SECTION B-B
SCALE 1:1



NOTES:
 1.MATERIAL:
 MOLDING: LCP UL94 V-0
 CONTACT: COPPER ALLOY.
 GOLD PLATING ALL OVER 50u" Min NICKEL
 AND 100u" Min Tin ALL OVER 50u" Min NICKEL
 ON SOLDER AREA
 SHELL: SUS304-H,T=0.30±0.03mm
 50u" NICKEL PLATING OVER ALL.
 SHILD: SUS304-H,T=0.12±0.03mm
 2.MECHANICAL:
 INSERTION: 5~20N.
 EXTRACTION: 8~20N AFTER TEST .
 DURABILITY: 10000 CYCLES
 3.ELECTRICAL:
 CURRENT: 5A FOR VBUS;
 1.25A FOR GND PIN.
 0.25A FOR OTHER.
 VOLTAGE: 20 V MAX
 WITHSTANDING VOLTAGE: 100V AC R.M.S
 CONTACT RESISTANCE: 40mΩ MAX.
 INSULATION RESISTANCE: 100MΩ MIN.
 4.ENVIRONMENTAL
 TEMPERATURE RANGE -55°C ~ +85°C



受控文件

A1	GND	B12	GND
A2	SSTXP1	B11	SSRXP1
A3	SSTXN1	B10	SSRXN1
A4	VBUS	B9	VBUS
A5	CC1	B8	SBU2
A6	DP1	B7	DN2
A7	DN1	B6	DP2
A8	SBU1	B5	CC2
A9	VBUS	B4	VBUS
A10	SSRXN2	B3	SSTXN2
A11	SSRXP2	B2	SSTXP2
A12	GND	B1	GND
PIN	SIGNAL NAME	PIN	SIGNAL NAME

深圳市兴烨电子有限公司
Shenzhen XingYe Electronics co., Ltd

TOLERANCE		
X.X ±0.30	X.° ±2°	APPD: 陈爱光
.XX ±0.20	.X° ±1°	CHEd: 施立敏
.XXX ±0.10	.XX° ±0.5°	DRAW: 马洪飞
UNITS	mm	

Series Name :
 Product Name :
 TYPE-CF-24P立贴L6.5
 Part NO: UCW27111

SCALE	SHEET	REV.
1:1	1/1	A1