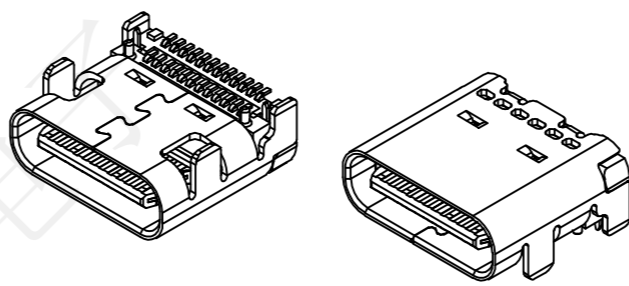
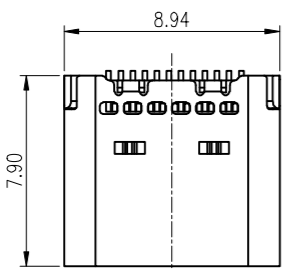
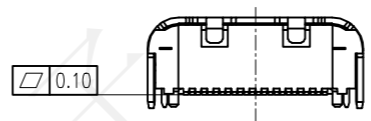
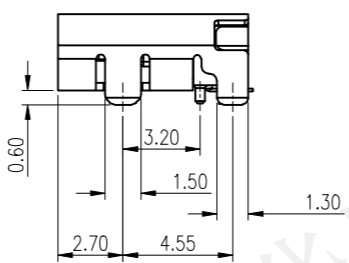
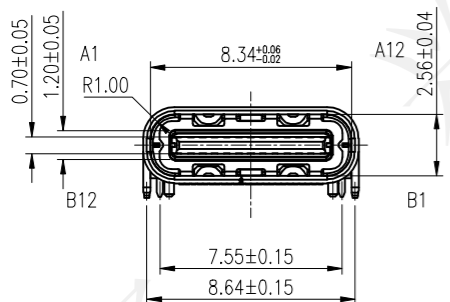


REV.	ECN NO.	DESCRIPTION	DRAW	APPD.	DATE
	---				

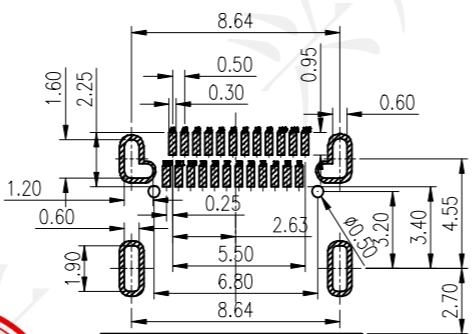
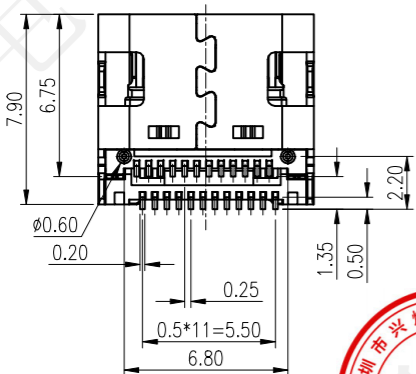


A1	GND	B12	GND
A2	SSTXP1	B11	SSRXP1
A3	SSTXN1	B10	SSRXN1
A4	VBUS	B9	VBUS
A5	CC1	B8	SBU2
A6	DP1	B7	DN2
A7	DN1	B6	DP2
A8	SBU1	B5	CC2
A9	VBUS	B4	VBUS
A10	SSRXN2	B3	SSTXN2
A11	SSRXP2	B2	SSTXP2
A12	GND	B1	GND
PIN	SIGNAL NAMF	PIN	SIGNAL NAM



**NOTE:**

- 1. MATERIAL:**
- 1.1 INSULATOR: HIGH TEMPERATURE PLASTIC UL 94 V-0; Black Color
  - 1.2 CONTACT: C7025 (T=0.12mm)
  - 1.3 SHELL: STAINLESS STEEL (T=0.30mm)
  - 1.4 INNER GROUND COVER SHELL: STAINLESS STEEL (T=0.10mm)
  - 1.5 MID PLATE: STAINLESS STEEL (T=0.15mm)
- 2. ELECTRICAL CHARACTERISTICS:**
- 2.1 CONTACT RESISTANCE: 30mΩ Max FOR INITIAL. 10mΩ CHANGE AFTER TEST. MEASURE AT 20mV, 100mA.
  - 2.2 CONTACT CURRENT RATING: 5A FOR COLLECTIVELY POWER SUPPLY PIN (PINAL, A4, A9, A12, B1, B4, B9, B12); 1.25A FOR VCC/VDD PIN; 0.25A FOR OTHER SIGNAL PIN.
  - 2.3 DIELECTRIC WITHSTANDING VOLTAGE: 100V AC R. M. S.
  - 2.4 INSULATION RESISTANCE 100MΩ Min
  - 2.5 OPERATING TEMPERATURE: -40° C ~ 85° C
- 3. MECHANICAL CHARACTERISTICS:**
- 3.1 MATING FORCE: 5~20 N.
  - 3.2 UNMATED FORCE: 8~20N INITIAL TEST; 6~20N DURABILITY AFTER TEST
  - 3.3 DURABILITY: 10,000 CYCLES
- 4. PLATING**
- 4.1 TERMINAL CONTACT: 1u" GOLD PLATING ON CONTACT AREA, ALL OVER 50u" Min NICKEL AND 1u" Min Matte GOLD ALL OVER 50u" Min NICKEL ON SOLDER AREA
  - 4.2 SHELL: 50u" Min. NICKEL ALL OVER,
  - 4.3 INNER GROUND COVER SHELL: CLEAN
  - 4.4 MID PLATE: CLEAN



RECOMMENDED P.C.B LAYOUT  
TOP VIEW (TOLERANCE ±0.05)



受控文件

		Series Name :																					
		Product Name : TYPE-CF-24P双排SMT																					
<table border="1"> <tr> <th colspan="2">TOLERANCE</th> <th></th> <th></th> </tr> <tr> <td>X.X</td> <td>±0.30</td> <td>X.°</td> <td>±2°</td> </tr> <tr> <td>.XX</td> <td>±0.20</td> <td>.X°</td> <td>±1°</td> </tr> <tr> <td>.XXX</td> <td>±0.10</td> <td>.XX°</td> <td>±0.5°</td> </tr> <tr> <td>UNITS</td> <td>mm</td> <td></td> <td></td> </tr> </table>		TOLERANCE				X.X	±0.30	X.°	±2°	.XX	±0.20	.X°	±1°	.XXX	±0.10	.XX°	±0.5°	UNITS	mm			Part NO: UCG27084	
		TOLERANCE																					
X.X	±0.30	X.°	±2°																				
.XX	±0.20	.X°	±1°																				
.XXX	±0.10	.XX°	±0.5°																				
UNITS	mm																						
		APPD: 陈爱光	SCALE: 1:1																				
		CHED: 施立敏	SHEET: 1/1																				
		DRAW: 马洪飞	REV: A1																				