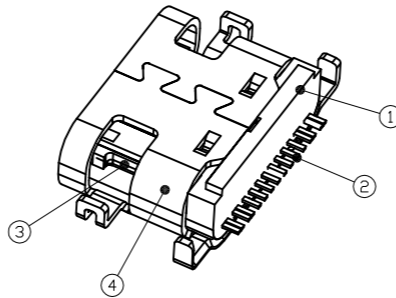
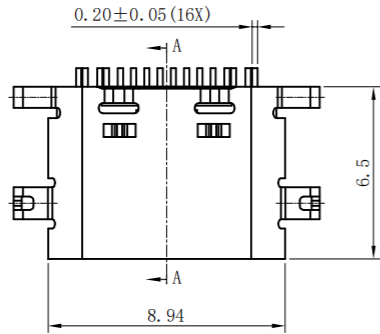
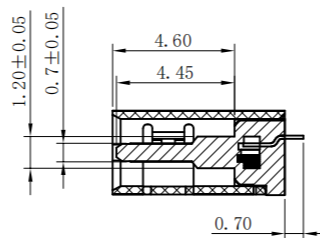
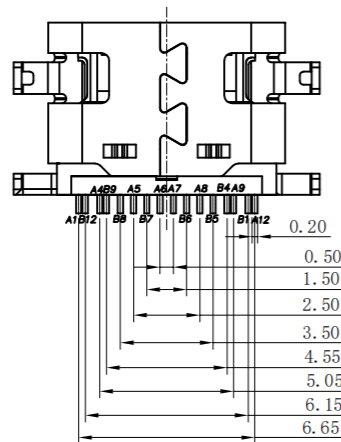
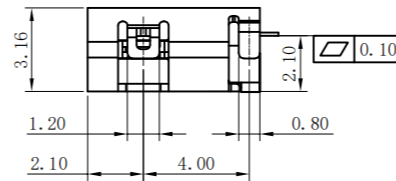
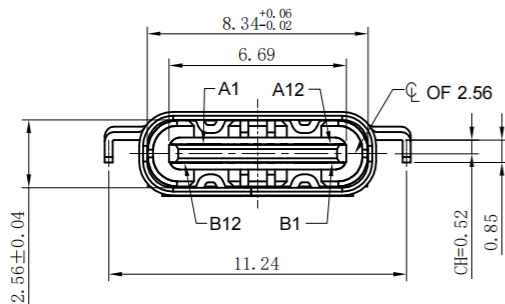


REV.	ECN NO.	DESCRIPTION	DRAW	APPD.	DATE
A	---				



1. MECHANICAL PERFORMANCE
 - 1-1. INSERTION FORCE: 0.5~2.0kgf.
 - 1-2. REMOVAL FORCE: 0.8kgf~2.0kgf.
 - 1-3. DURABILITY: 10000 CYCLES.
2. ELECTRICAL PERFORMANCE
 - 2-1. CURRENT RATING: 3.0A
VOLTAGE RATING: 5.0V
 - 2-2. LLCR:
VBUS & GND PINS AND OTHER PINS: 40mΩ/PIN MAX.
SHIELD: 50mΩ/MAX.
LLCR MAX. CHANGE OF ALL PINS: 10mΩ.
 - 2-3. INSULATION RESISTANCE: 100MΩ MIN
 - 2-4. DIELECTRIC WITHSTAND VOLTAGE, AC 100V FOR 1 MINUTE.
3. ENVIRONMENTAL PERFORMANCE:
OPERATING TEMPERATURE: -25°C~+85°C.
4. IR REFLOW:
THE PEAK TEMPERATURE ON THE BOARD SHALL BE MAINTAINED FOR 10 SECONDS AT 260°C.



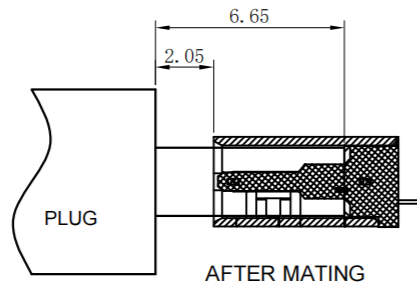
受控文件

4	Front shell	Stainless steel	Ni/SN plated
3	Mid plate	Stainless steel	
2	Contact	Copper alloy	Au/Ni plated
1	Housing	LCP	Black
NO.	Part name	Material	Remarks

		Series Name :	
		Product Name :	
TOLERANCE		APPD: 陈爱光	
X.X ±0.30	X.° ±2°	CHED: 施立敏	
.XX ±0.20	.X° ±1°	DRAW: 马洪飞	
.XXX ±0.10	.XX° ±0.5°		
UNITS	mm		

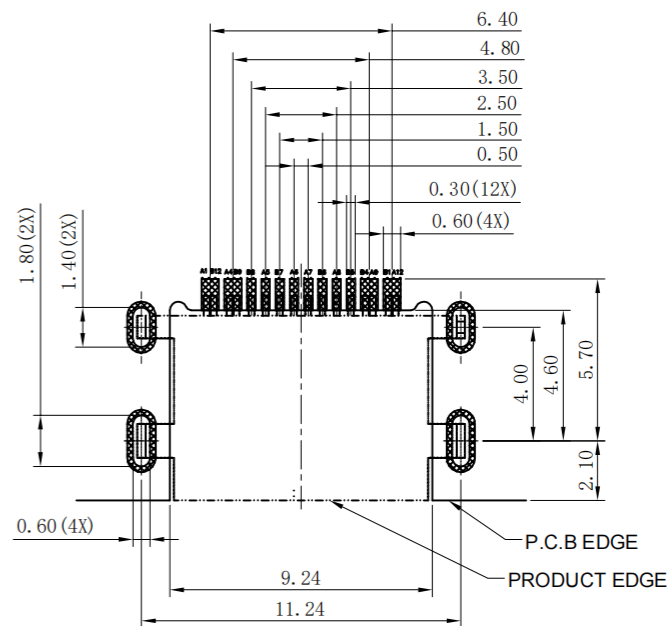
Series Name :		
Product Name :		
TYPE-CF-16P沉板2.1四脚插L6.5		
Part NO:		
UCH27027		
SCALE	SHEET	REV.
1:1	1/1	A1

REV.	ECN NO.	DESCRIPTION	DRAW	APPD.	DATE
A	---				



USB TYPE-C PIN ASSIGNMENTS

PIN NUMBER	SIGNAL NAME	PIN NUMBER	SIGNAL NAME
A1	GND	B12	GND
A4	VBUS	B9	VBUS
A5	CC1	B8	SBU2
A6	Dp1	B7	Dn2
A7	Dn1	B6	Dp2
A8	SBU1	B5	CC2
A9	VBUS	B4	VBUS
A12	GND	B1	GND



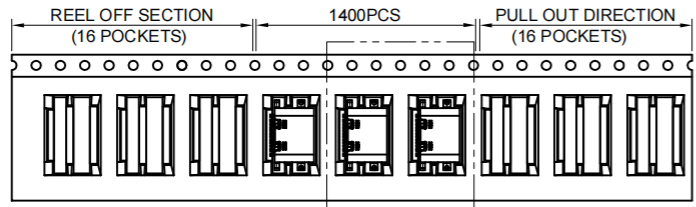
RECOMMENDED PCB LAYOUT(TOP VIEW)
THICKNESS 0.80MM;DEFAULT TOLERANCE:±0.05

受控文件

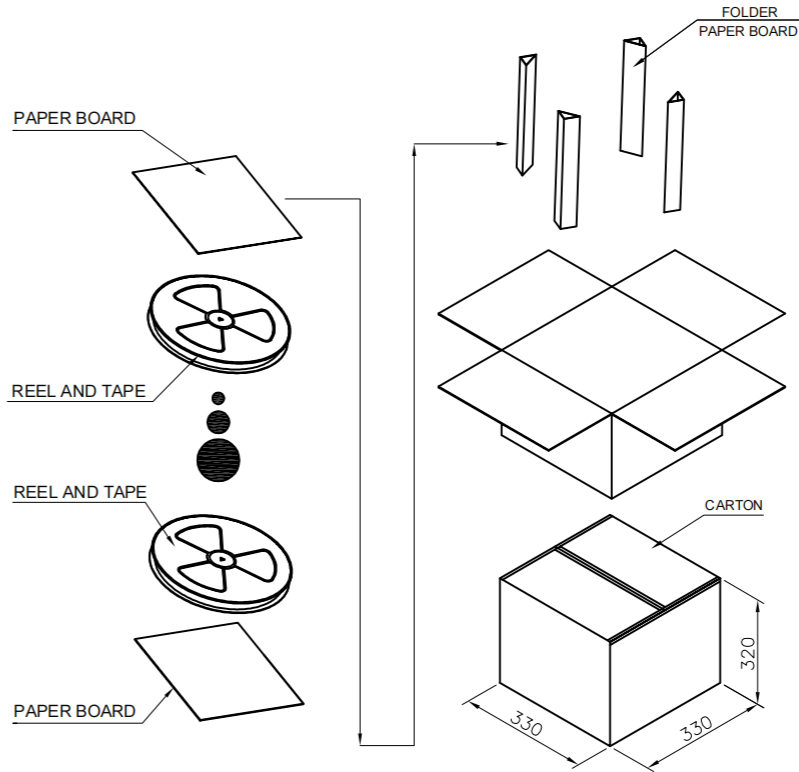
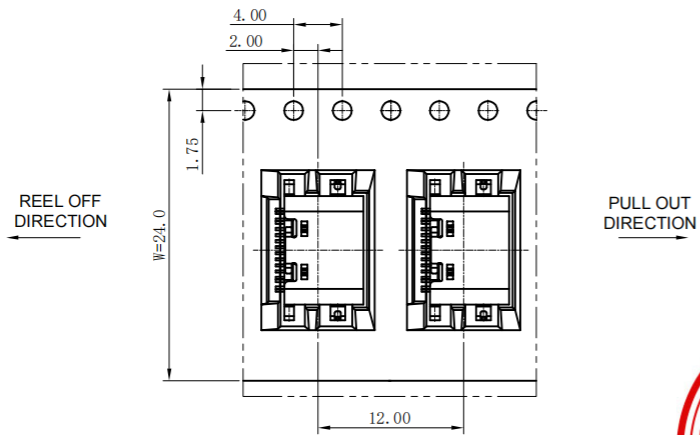
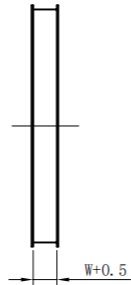
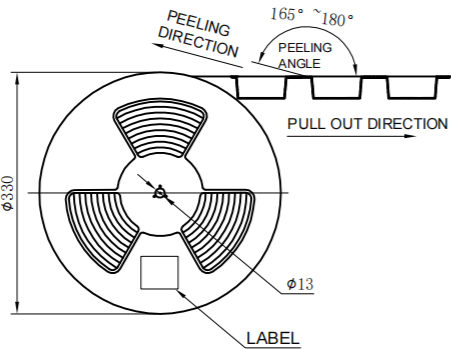


<p>深圳市兴烨电子有限公司 ShenZhen XingYe Electronics co., Ltd</p>		Series Name :		
		Product Name : TYPE-CF-16P沉板2.1四脚插L6.5		
TOLERANCE		Part NO: UCH27027		
X.X ±0.30	X.° ±2°	APPD: 陈爱光	SCALE	SHEET
.XX ±0.20	.X° ±1°	CHED: 施立敏	1:1	1/1
.XXX ±0.10	.XX° ±0.5°	DRAW: 马洪飞	REV.	A1
UNITS	mm			

REV.	ECN NO.	DESCRIPTION	DRAW	APPD.	DATE
A	---				



SEE DETAIL X



受控文件



深圳市兴烨电子有限公司 Shenzhen XingYe Electronics Co., Ltd		Series Name :		
		Product Name : TYPE-CF-16P沉板2.1四脚插L6.5		
TOLERANCE		Part NO: UCH27027		
X.X ±0.30	X° ±2°	APPD: 陈爱光	SCALE	SHEET
.XX ±0.20	.X° ±1°	CHED: 施立敏	1:1	1/1
.XXX ±0.10	XX° ±0.5°	DRAW: 马洪飞	REV.	A1
UNITS	mm			