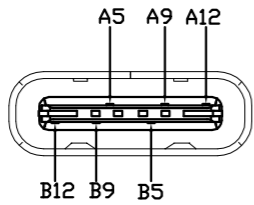
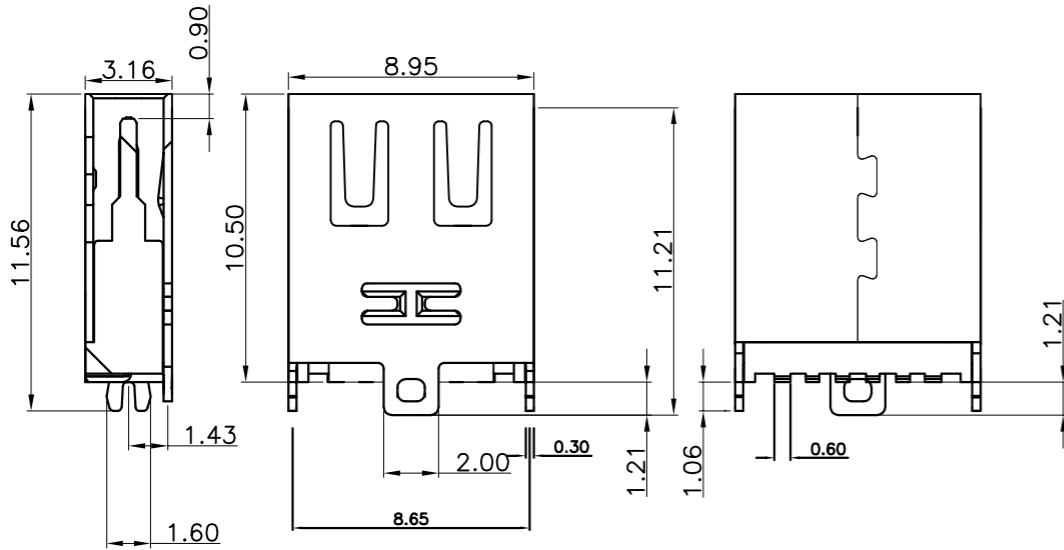


REV.	ECN NO.	DESCRIPTION	DRAW	APPD.	DATE
	---				

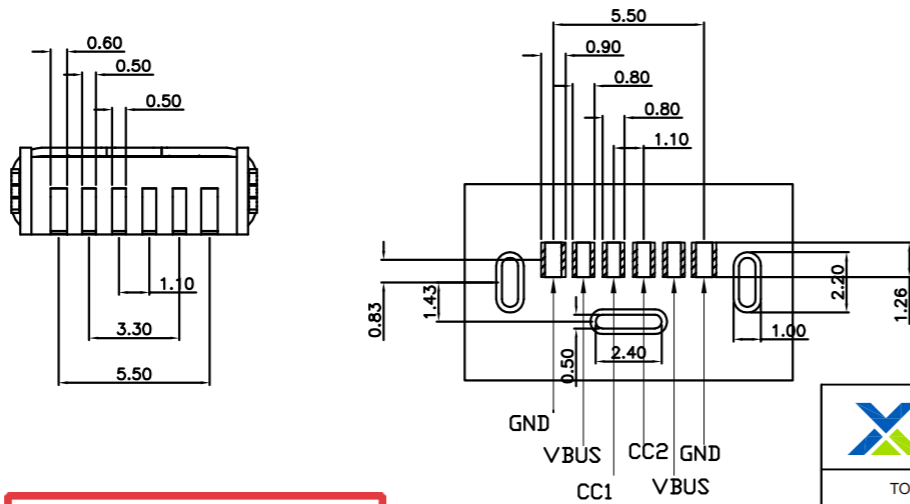


B12	GND
B9	VBUS
B5	CC2
A5	CC1
A9	VBUS
A12	GND
PIN	SIGNAL NAME



NOTES:

- MECHANICAL:  
 INSERTION: 5~20N.  
 EXTRACTION: 8~20N AFTER TEST.  
 DURABILITY: 10000 CYCLES
- ELECTRICAL:  
 CURRENT: 5A FOR VBUS;  
 1.25A FOR GND PIN.  
 0.25A FOR OTHER.  
 VOLTAGE: 20 V MAX  
 WITHSTANDING VOLTAGE: 100V AC R.M.S.  
 CONTACT RESISTANCE: 40mΩ MAX.  
 INSULATION RESISTANCE: 100MΩ MIN.
- ENVIRONMENTAL  
 TEMPERATURE RANGE -25°C ~ +85°C



4	Front shell	Stainless steel	Ni/SN plated
3	Mid plate	Stainless steel	
2	Contact	Copper alloy	Au/Ni plated
1	Housing	LCP	Black
NO.	Part name	Material	Remarks



受控文件

深圳市兴烨电子有限公司  
 ShenZhen XingYe Electronics co., Ltd

TOLERANCE		APPD: 陈爱光 CHED: 施立敏 DRAW: 马洪飞
.XX ±0.30	X.° ±2°	
.XX ±0.20	.X° ±1°	
.XXX ±0.10	.XX° ±0.5°	
UNITS	mm	

Series Name :			
Product Name :	TYPE-CF-6P立贴L10.5		
Part NO:	UCZ27410		
	SCALE	SHEET	REV.
	1:1	1/1	A1