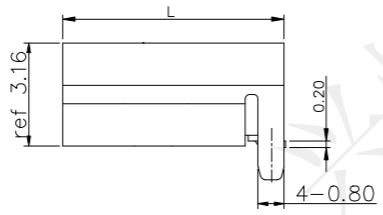
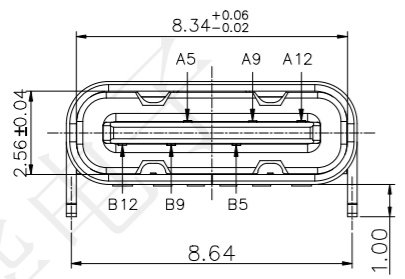
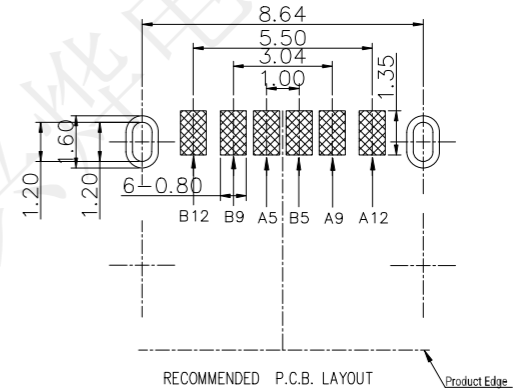
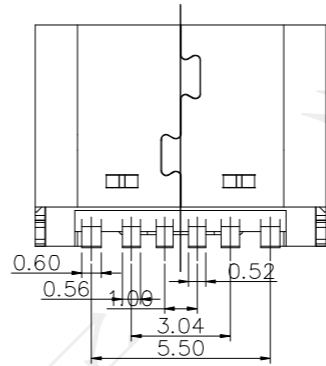
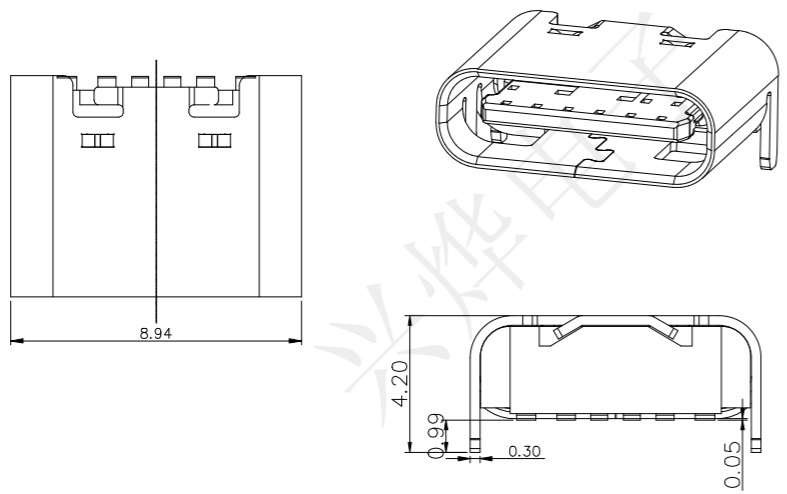


REV.	ECN NO.	DESCRIPTION	DRAW	APPD.	DATE
A	---				



- MECHANICAL PERFORMANCE,
 - INSERTION FORCE: 0.5~2.0kgf.
 - REMOVAL FORCE: 0.8kgf~2.0kgf.
 - DURABILITY: 5000 CYCLES.
- ELECTRICAL PERFORMANCE,
 - CURRENT RATING: 3.0A
VOLTAGE RATING: 5.0V
 - LLCR:
VBUS & GND PINS AND OTHER PINS: 40mΩ/PIN MAX.
SHIELD: 50mΩ/MAX.
LLCR MAX. CHANGE OF ALL PINS: 10mΩ.
 - INSULATION RESISTANCE: 100MΩ MIN
 - DIELECTRIC WITHSTAND VOLTAGE, AC 100V FOR 1 MINUTE
- ENVIRONMENTAL PERFORMANCE:
OPERATING TEMPERATURE: -25°C~+85°C.
- IR REFLOW:
THE PEAK TEMPERATURE ON THE BOARD SHALL BE MAINTAINED FOR 10 SECONDS AT 260°C.



受控文件

1	UCM27599	TYPE-CF-6P板上后两脚插L6.5
2	UCM27564	TYPE-CF-6P板上后两脚插L6.8
序号	料号	型号

PIN ASSIGNMENTS			
PIN	SIGNAL NAME	PIN	SIGNAL NAME
A5	CC1	B12	GND
A9	VBUS	B9	VBUS
A12	GND	B5	CC2

4	Front shell	Stainless steel	Ni/SN plated
3	Mid plate	Stainless steel	
2	Contact	Copper alloy	Au/Ni plated
1	Housing	LCP	Black
NO.	Part name	Material	Remarks

深圳市兴烨电子有限公司
Shenzhen KingYe Electronics co., Ltd

TOLERANCE

X.X	±0.30	X.°	±2°	APPD: 陈爱光
.XX	±0.20	.X°	±1°	CHED: 施立敏
.XXX	±0.10	.XX°	±0.5°	DRAW: 马洪飞

UNITS mm

Series Name : TYPE-CF-6P板上后两脚插			
Product Name :			
Part NO:			
	SCALE	SHEET	REV.
	1:1	1/1	A1